

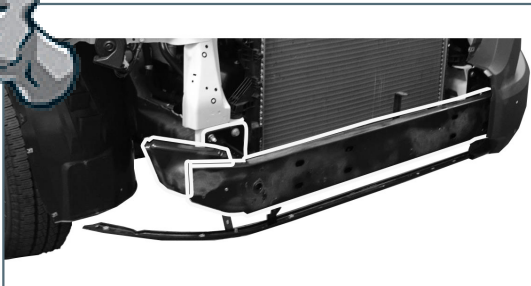
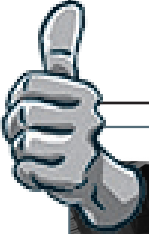
10W 4413

Fiat Ducato/Citroen Jumper/Peugeot Boxer Md. 2014
Fiat Ducato L2-H2 Md. 2021

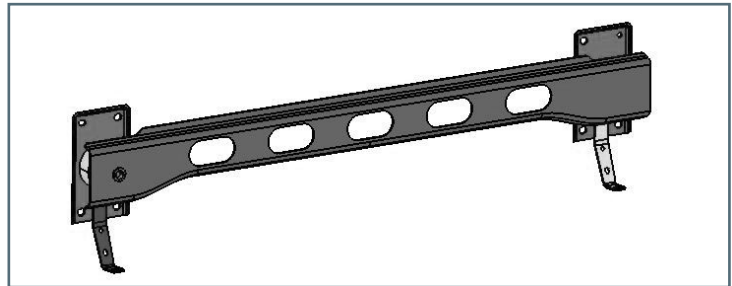
EU-pedestrian protection bar 60 mm with cross pipe 42 mm
EU-Personenschutzbügel 60 mm mit integriertem Querrohr 42 mm
Protection avant, homologuée CEE, 60 mm, traverse 42 mm



large crashbox
grosse Crashbox
grande crashbox



short crashbox - order separately 10W9913
kurze Crashbox - zusätzlich 10W9913 bestellen
court crashbox - commander séparément 10W9913



ASSEMBLY INSTRUCTION

Montageanleitung • Instructions de montage

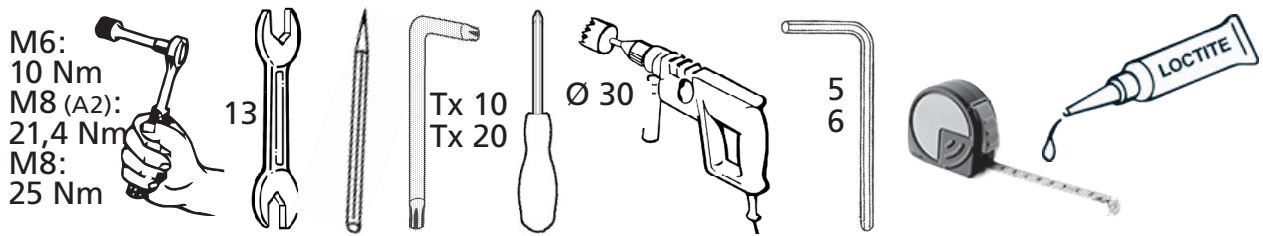


45 Minuten

Artikel-Nr:
10W4413(S) stainless steel
10W5413 black steel

Revision 6: 13.01.2022





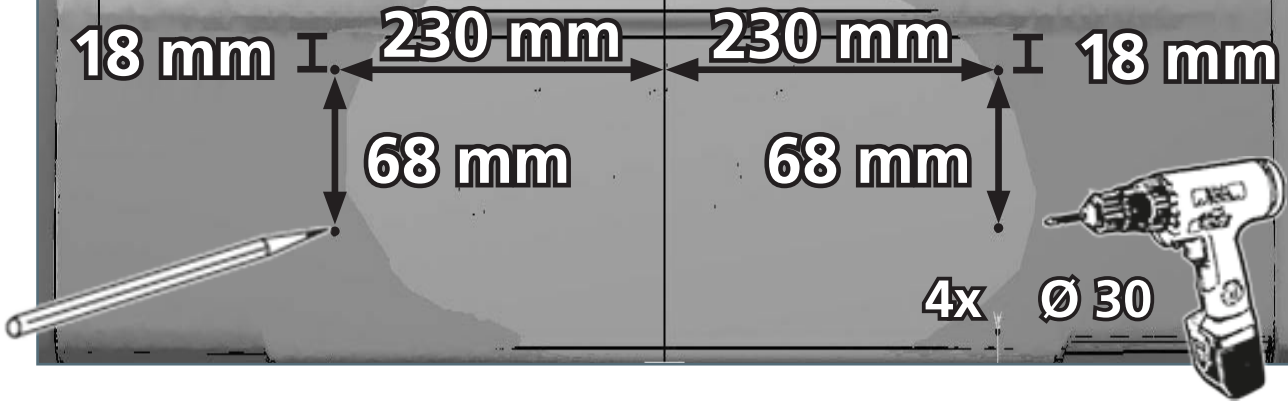
mounting kit: 10W9413

<p>2 10W5225.1_R / 10W5225.2_L 2x</p>	<p>a Ø 8,4; DIN 9021 Zn 4x</p>
<p>3 10W5126 2x</p>	<p>b Ø 8; DIN 127 Zn 4x</p>
<p>4 11W5030 4x</p> <p>M8</p>	<p>c M8; DIN 934 Zn 4x</p>
<p>5 10W5037 4x</p> <p>Ø10</p>	<p>d Ø 32 4x</p>
<p>6 005522.1 4x</p>	<p>e M8 x 25; DIN 912 A2 2x</p>
<p>7 11F8043 2x</p>	<p>f Ø 8; DIN 127 A2 4x</p>
<p>8 10W5026 4x</p> <p>Ø6,5</p>	<p>g Ø 8,4; DIN 9021 A2 4x</p>
	<p>h SW 13 2x</p>
	<p>i M8 x 25; DIN 933A2 2x</p>
	<p>j M6 x 30; DIN 912 Zn 2x</p>
	<p>k Ø 6; DIN 127 Zn 2x</p>
	<p>l Ø 6,4; DIN 9021 Zn 2x</p>
	<p>m Ø 4,8 x 19; DIN 7981 A2 4x</p>
	<p>n Ø 5,3; DIN 9021 A2 4x</p>
	<p>o Ø 3,5 x 13; DIN ähnl. 7981 A2 2x</p>
	<p>p Ø 4,2; DIN 9021 A2 2x</p>

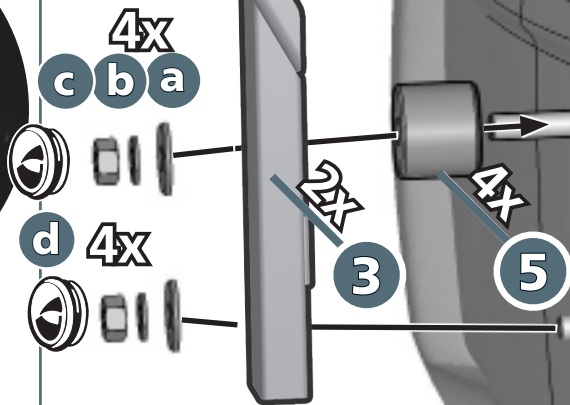
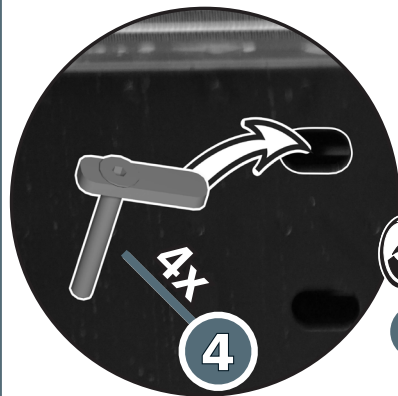
Artikel-Nr:
10W4413(S) stainless steel
10W5413 black steel

Revision 6: 13.01.2022

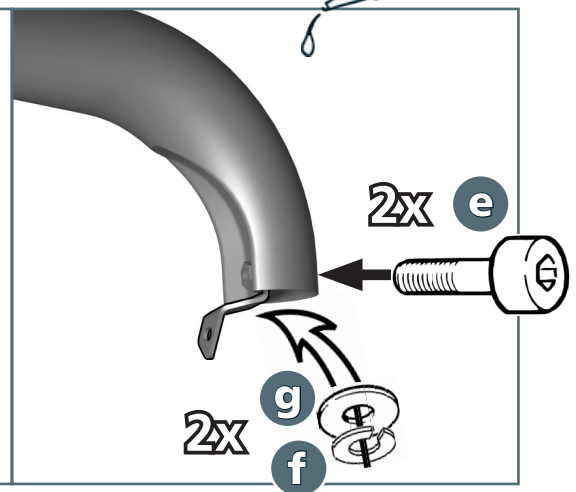
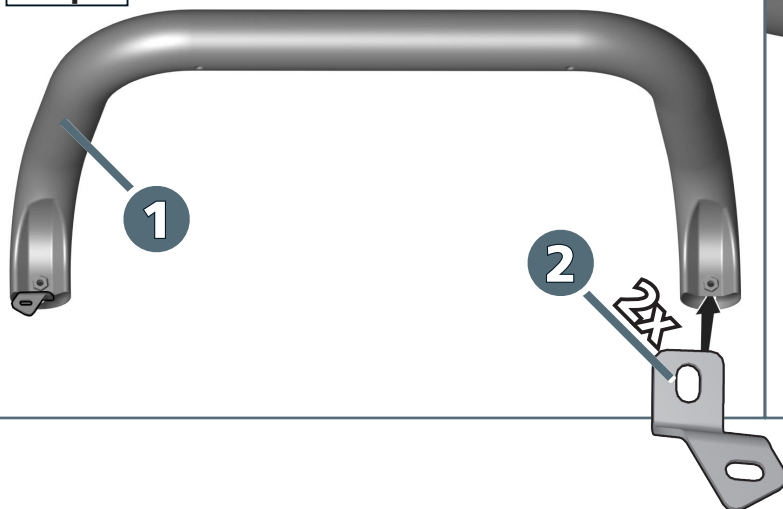
Step 1

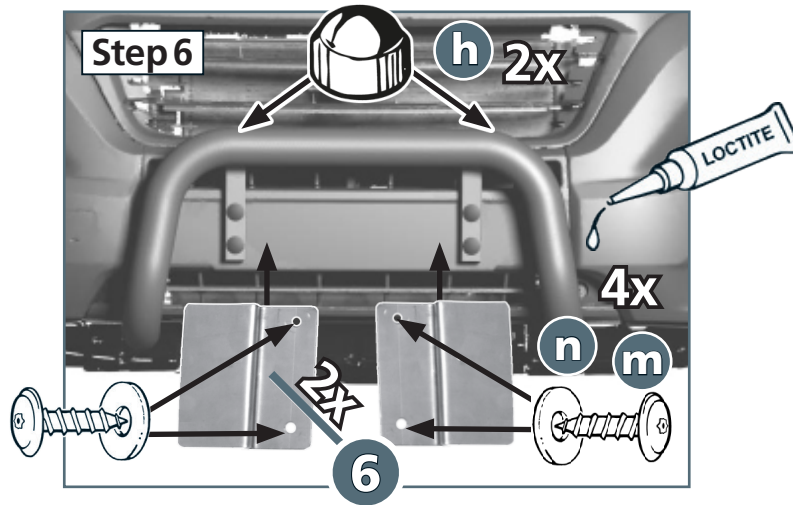
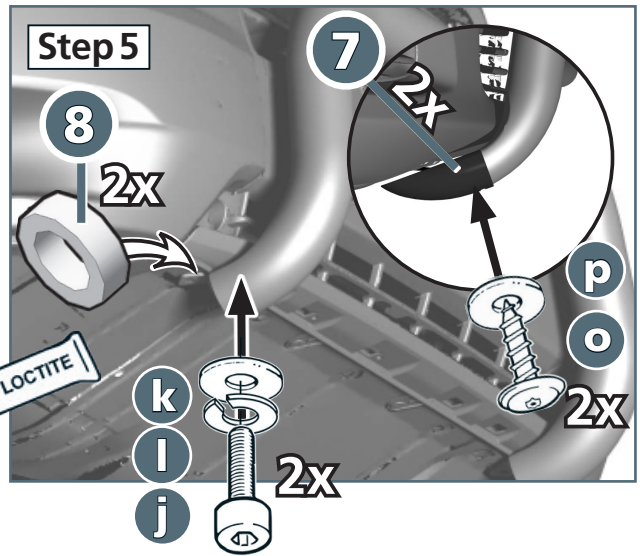
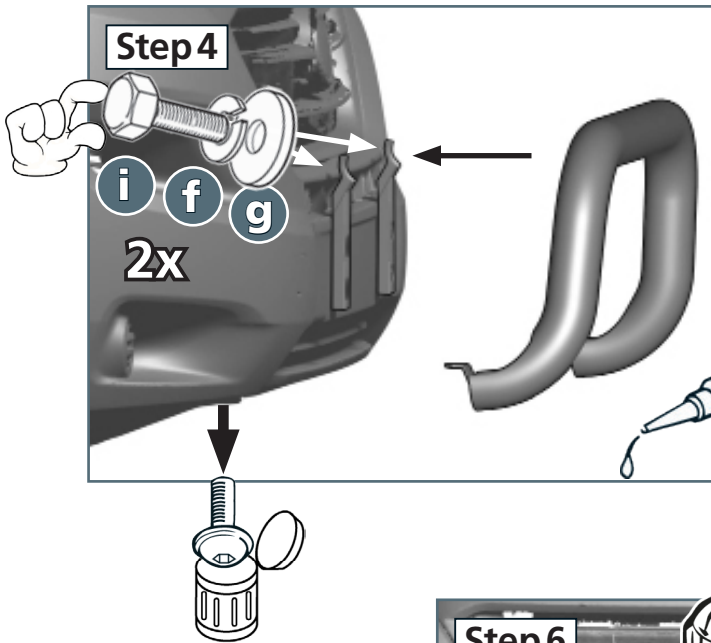


Step 2



Step 3





M6:
10 Nm
M8 (A2):
21,4 Nm
M8:
25 Nm