

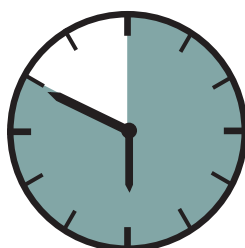
**17A  
4051**

**Mercedes V-Klasse 05/2014  
Mercedes Vito 10/2014**

wheelbase / Radstand / empattement 3200 mm  
Side protection bar 60 mm, long  
Flankenschutzrohr 60 mm, lang  
Protection latérale 60 mm, longue



**ASSEMBLY INSTRUCTION**  
Montageanleitung • Instructions de montage



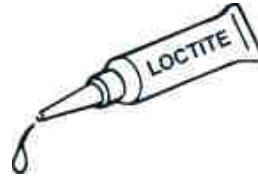
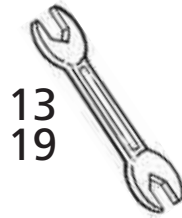
**50 Minuten**

article no.:  
17A4051 (S) inox  
17A5051 black steel

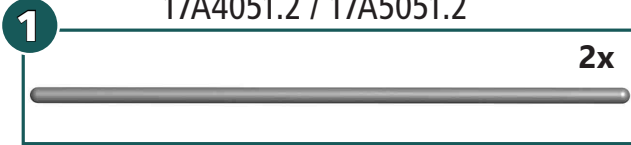
**Revision 4: 22.11.2018**



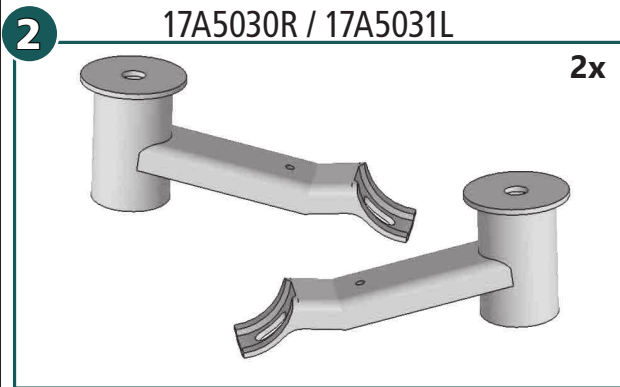
M8<sub>(A2)</sub>: 21,4 Nm  
 M12: 87 Nm



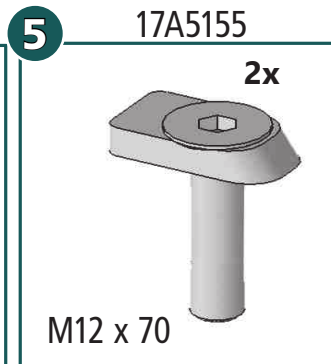
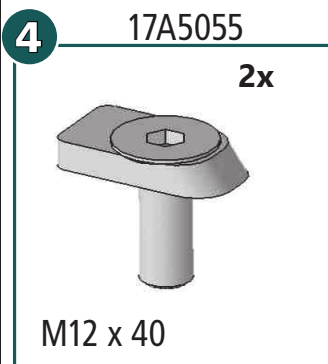
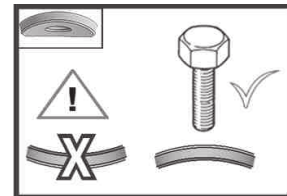
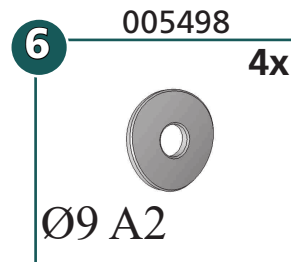
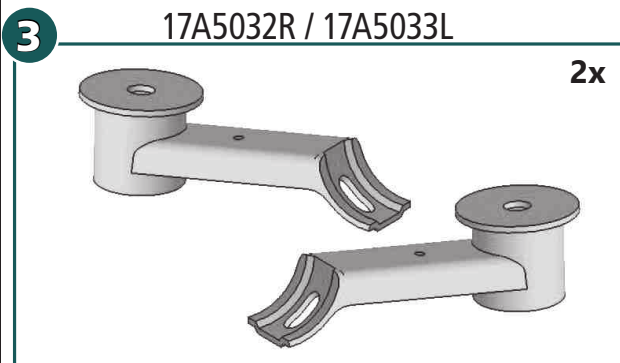
17A4051.1 / 17A5051.1  
 17A4051.2 / 17A5051.2



mounting kit: 17A9051



	Ø 13; DIN 125 Zn	4x
	M8 x 25; DIN 933 A2	4x
	M12; DIN 934 Zn	4x



article no.:  
 17A4051 (S) inox  
 17A5051 black steel

Revision 4: 22.11.2018



