

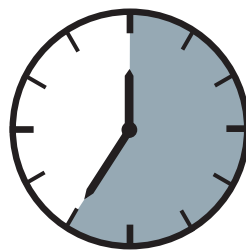
Toyota LandCruiser 150; Modell 2009 & Modell 2013

EU-Pedestrian Protection Guard 76 / EU-Personenschutzbügel 76



FITTING INSTRUCTIONS

Montageanleitung • Instructions de montage
Instrucctionnes de montage • Manual



35 Minuten

Artikel-Nr:

14R 4013 Stainless Steel
14R 5013 Steel black
14R 9013 Mounting Set

Revision 2: 20.08.2018

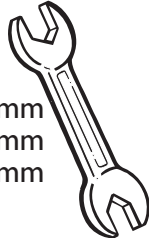


Toyota LandCruiser I50; Modell 2009 & Modell 2013

EU-Pedestrian Protection Guard 76 / EU-Personenschutzbügel 76

Required tools / Benötigte Werkzeuge / Outillage requis / Herramientas necesarias

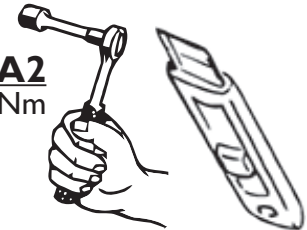
SW: 10 mm
SW: 13 mm
SW: 19 mm



M6: 10 Nm
M12: 87 Nm



M8: 21,4 Nm
A2



Parts list / Teileliste / Lista de accesorios

1 ø76; I4R 4013.IZ / I4R 5013.IZ



Mounting set I4R 9013 / Montagesatz I4R 9013

2 I4R 5036R / I4R 5037L



3 I4R 5038R / I4R 5039L



4 I4R 5018R / I4R 5019L



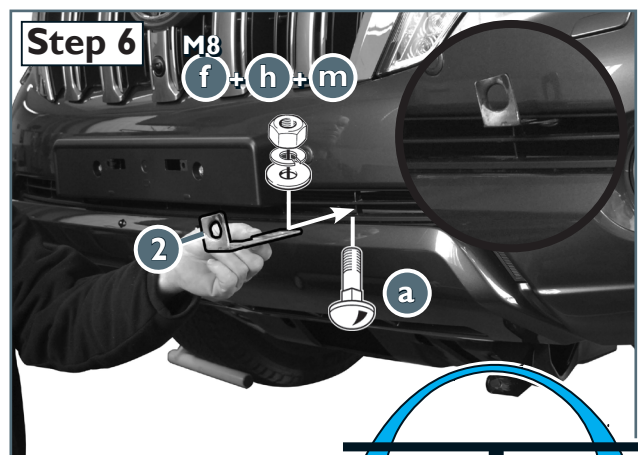
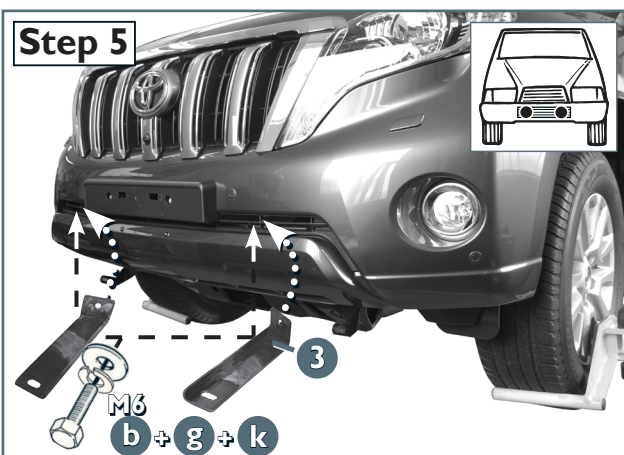
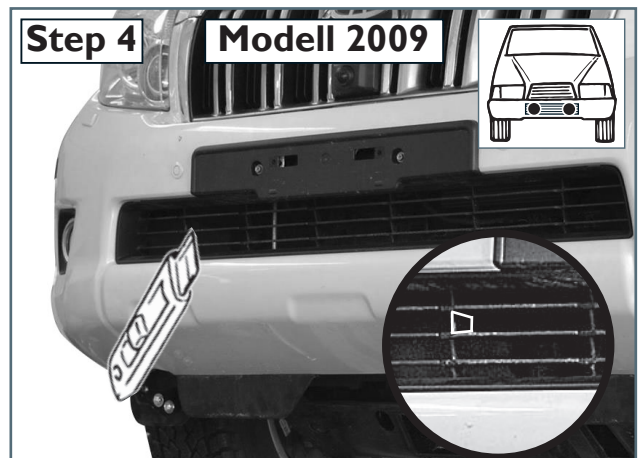
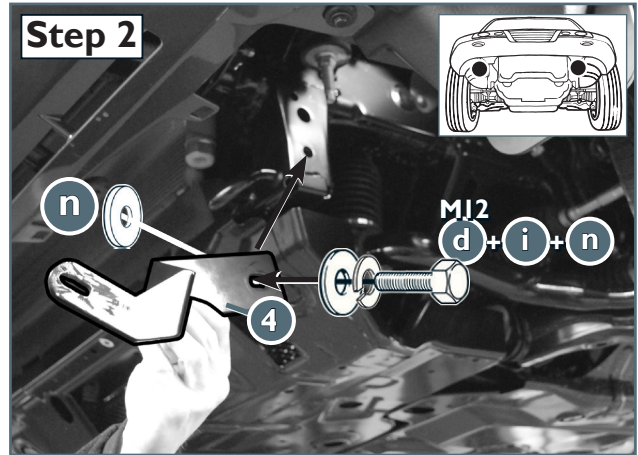
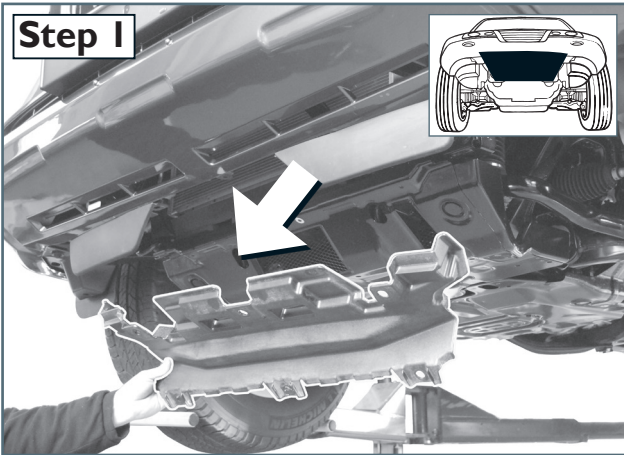
Standard Parts list / Normteilleiste

| | | | |
|----------|--|--------------------------|----|
| a | | M8x20; DIN 603 A2 | 2x |
| b | | M6x20; DIN 933 Zn | 2x |
| c | | M8x20; DIN 933 A2 | 2x |
| d | | M12x1,25x30; DIN 961 Zn | 2x |
| e | | M8x25; ähnl. ISO 7380 A2 | 2x |
| f | | M8; DIN 934 A2 | 4x |
| g | | ø6; DIN 127 Zn | 2x |
| h | | ø8; DIN 127 A2 | 6x |
| i | | ø12; DIN 127 Zn | 2x |
| k | | ø6,4; DIN 9021 Zn | 2x |
| m | | ø8,4; DIN 9021 A2 | 6x |
| n | | ø13; DIN 9021 Zn | 4x |
| o | | SW 13 | 4x |

Artikel-Nr:

I4R 4013 Stainless Steel
I4R 5013 Steel black
I4R 9013 Mounting Set

Revision 2: 20.08.2018



Artikel-Nr:
14R 4013 Stainless Steel

Revision 2: 20.08.2018

