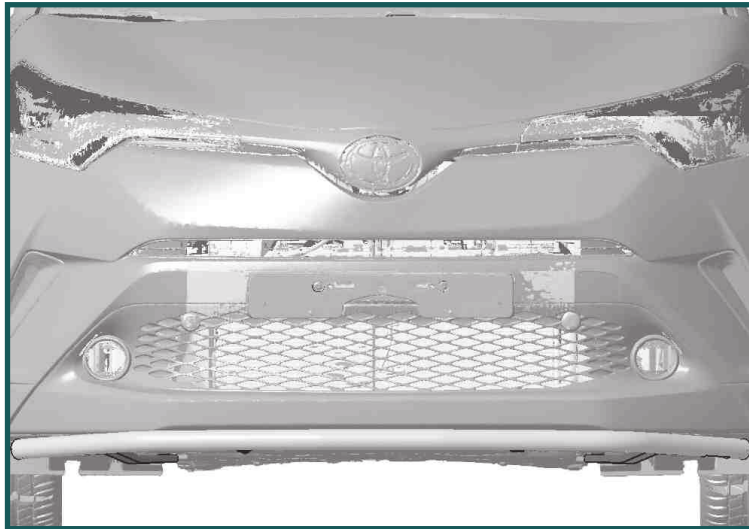


**19A**  
**4016**

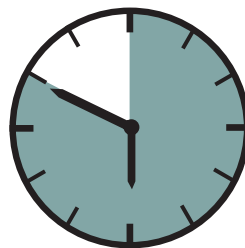
## Toyota C-HR, Md. 10/2016

EU-Spoilerschutzrohr 42 mm  
EU-Spoiler protective tube 42 mm  
Tube de protection du spoiler CE, 42 mm



# ASSEMBLY INSTRUCTION

Montageanleitung • Instructions de montage



50 Minuten

article no.:  
19A4016 (S) inox  
19A5016 black steel

Revision 1: 11.04.2018



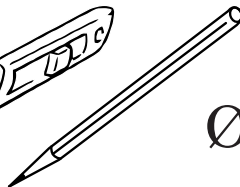
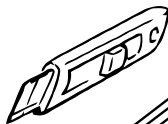
M6:  
10 Nm  
M8 (A2):  
21,4 Nm  
M8:  
25 Nm



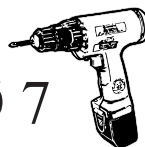
13



4



Ø 7



1

19A4016.1 / 19A5016.1

1x



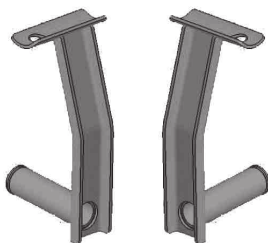
mounting kit: 19A9016

	M6x25; DIN 7991 Zn	2x
	M8x30; DIN 912 Zn	2x
	M8x25; DIN 933 A2	4x
	Ø 8; DIN 127 A2	4x
	Ø 8; DIN 127 Zn	2x
	Ø 8,4; DIN 9021 A2	4x
	Ø 8,4; DIN 125 Zn	2x

2

19A5039\_R / 19A5040\_L

2x



3

19A5074

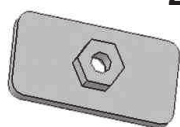
2x



4

13B5047

2x

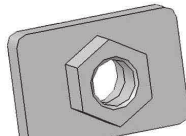


M6

5

19A5065

2x



M8



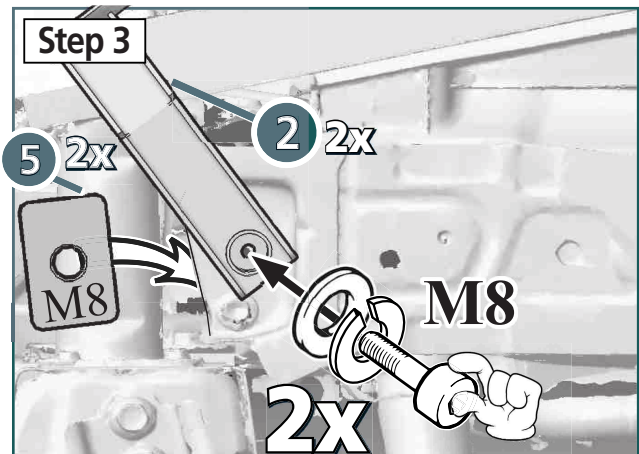
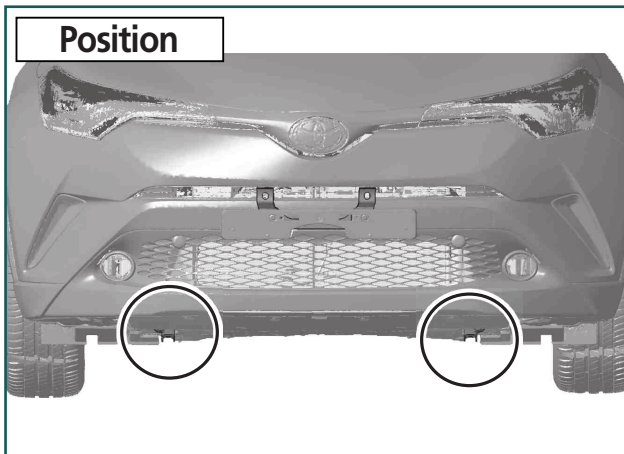
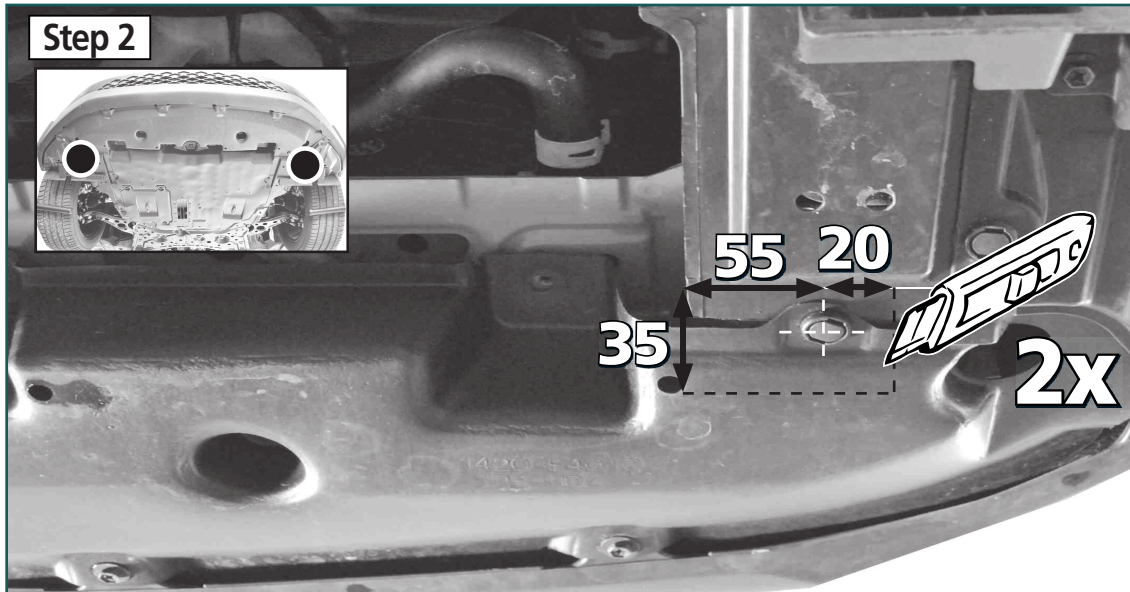
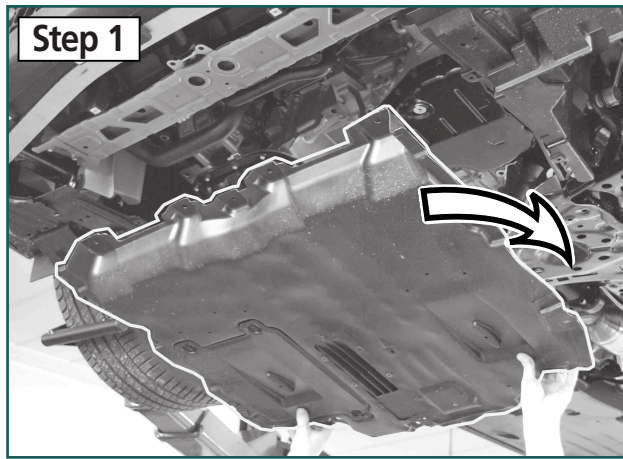
article no.:

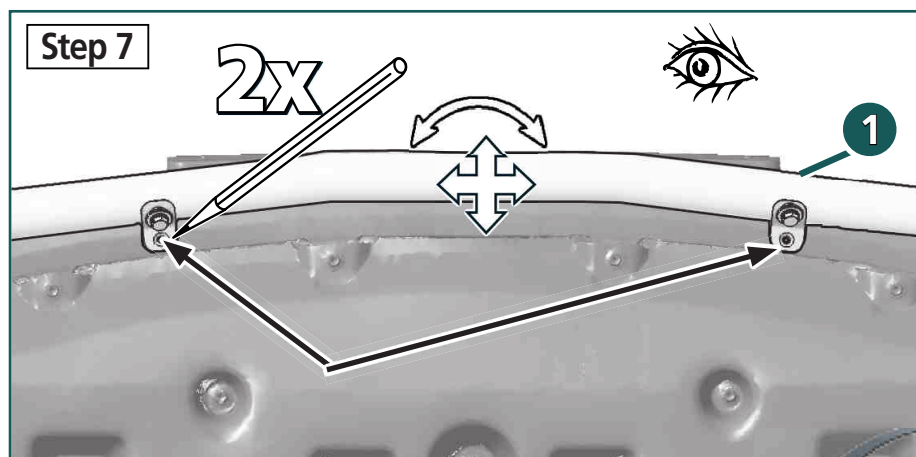
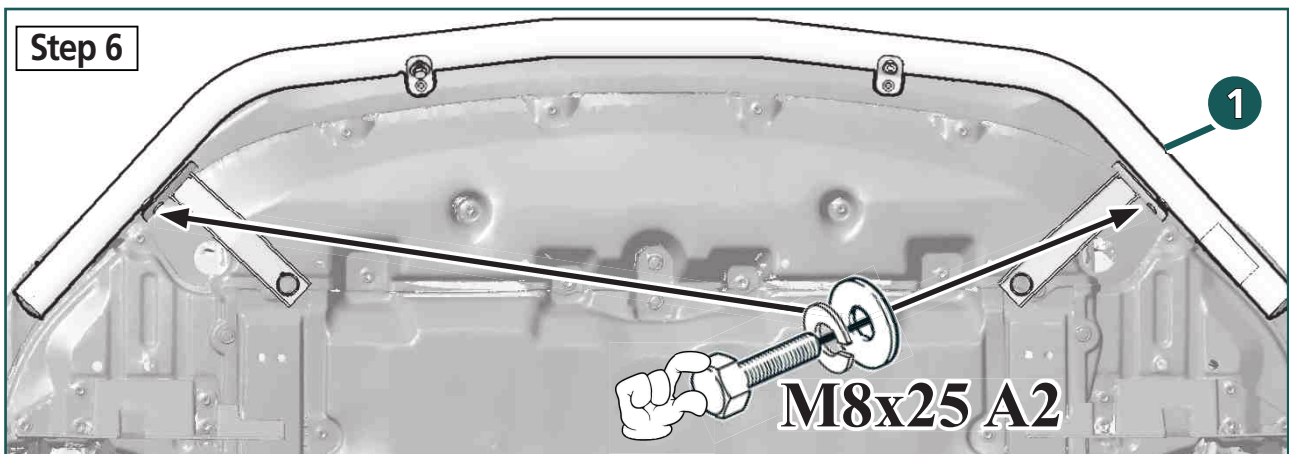
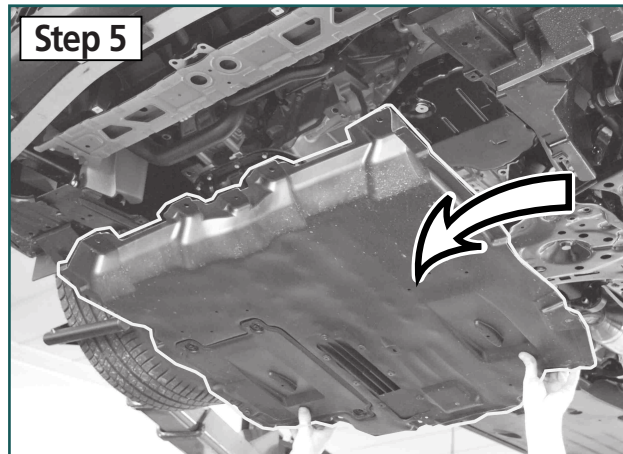
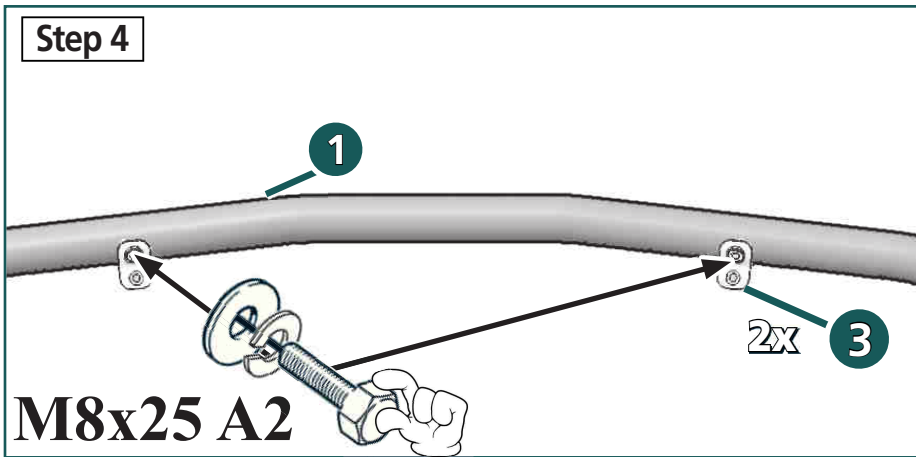
19A4016 (S) inox

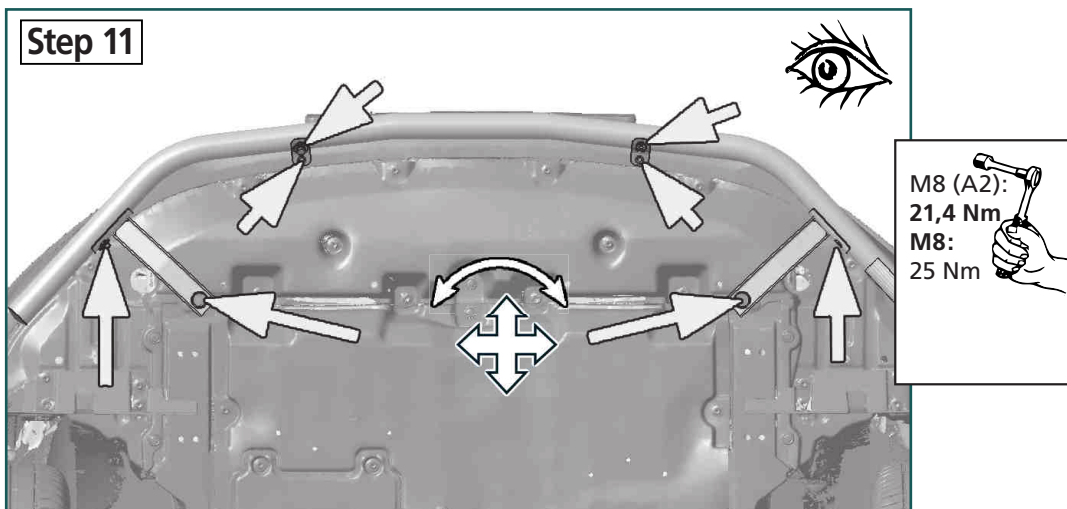
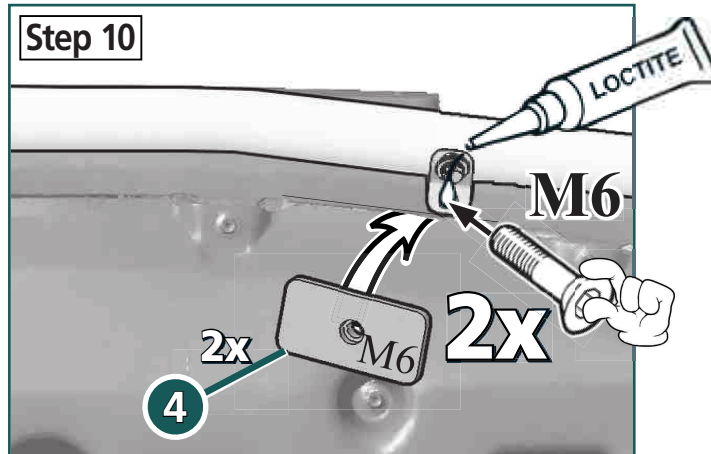
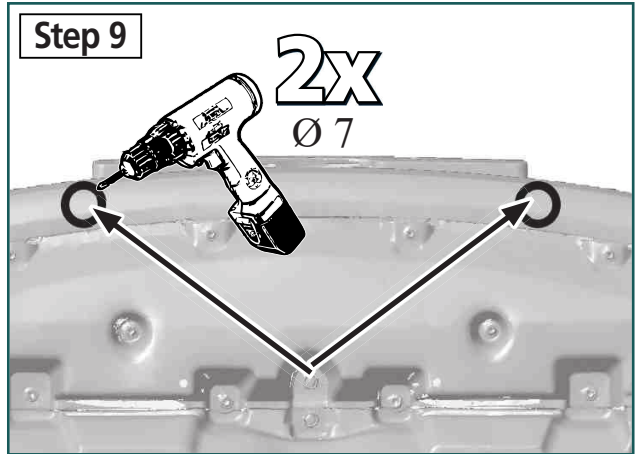
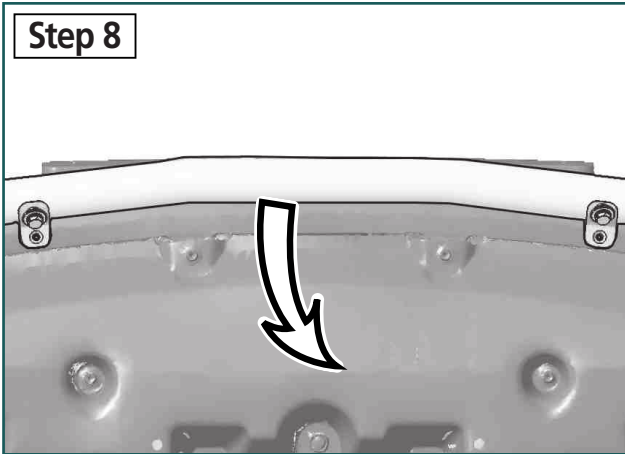
19A5016 black steel

Revision 1: 11.04.2018









Revision 1: 11.04.2018

