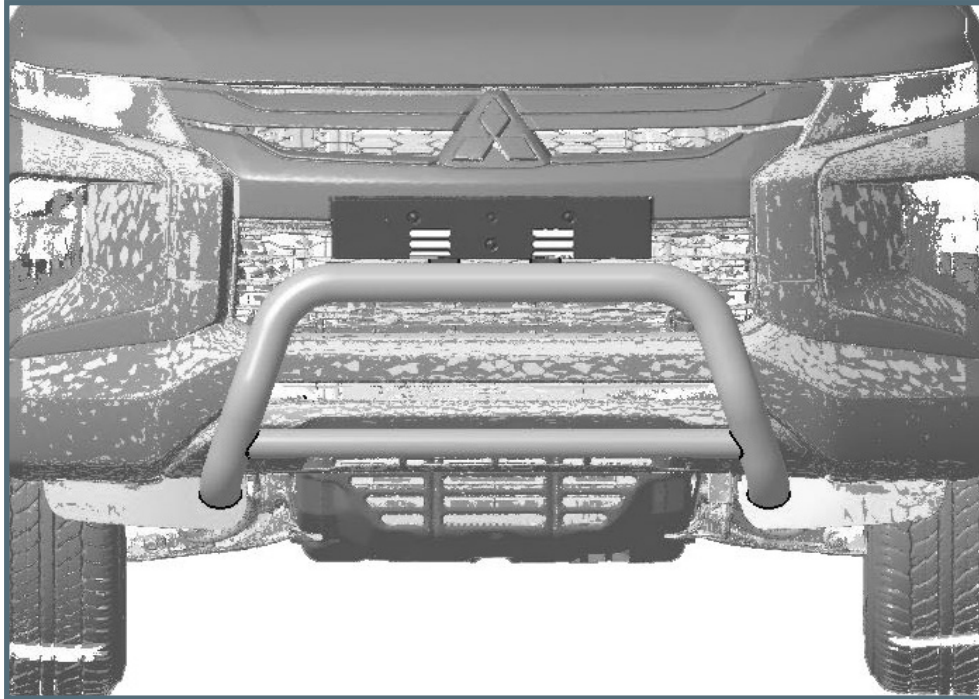


# 17W 4123

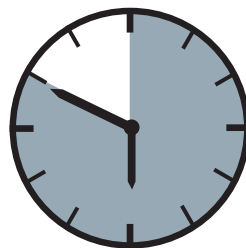
## Mitsubishi L200 DC/CC, Md. 2020

EU-pedestrian protection bar 70 mm with cross pipe 51 mm low  
EU-Personenschutzbügel 70 mm mit Querrohr 51 mm niedrig  
Protection avant, homologuée CEE, 70 mm, traverse 51 mm faible



# ASSEMBLY INSTRUCTION

Montageanleitung • Instructions de montage



50 Minuten

article no.:  
17W4123 (S) inox  
17W5123 black steel

Revision 3: 18.08.2022

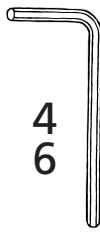


M6:  
10 Nm  
M8 (A2):  
21,4 Nm  
M10:  
50 Nm

M6:  
2 Nm



13  
17



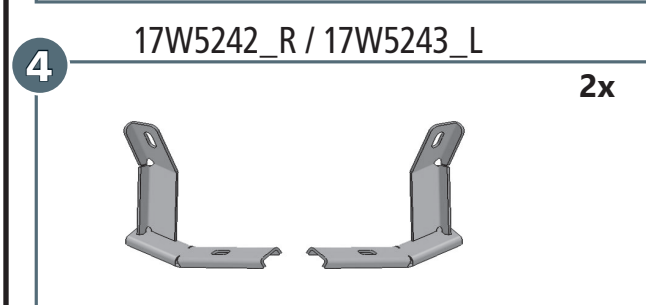
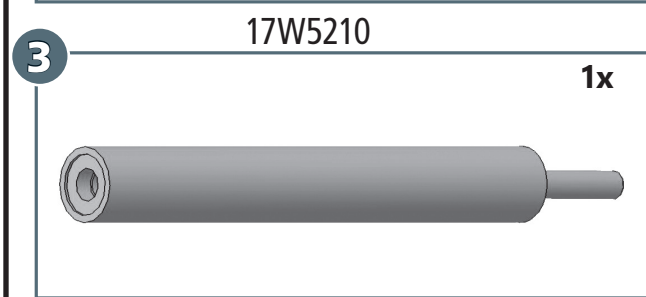
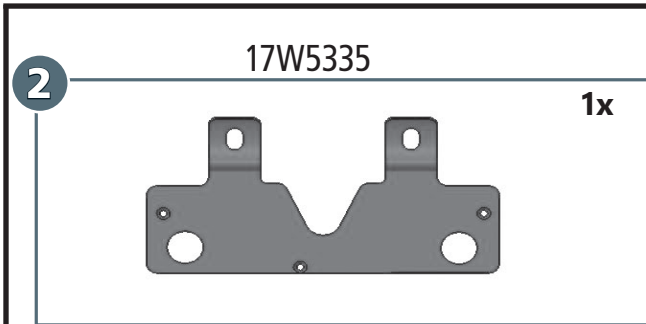
4  
6



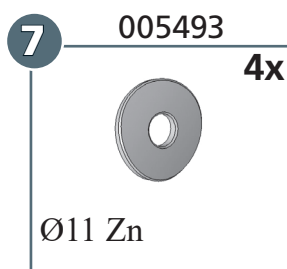
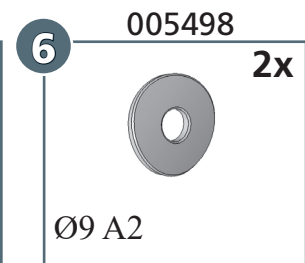
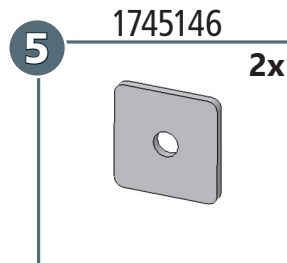
Ø 12,5



mounting kit: 17W9123



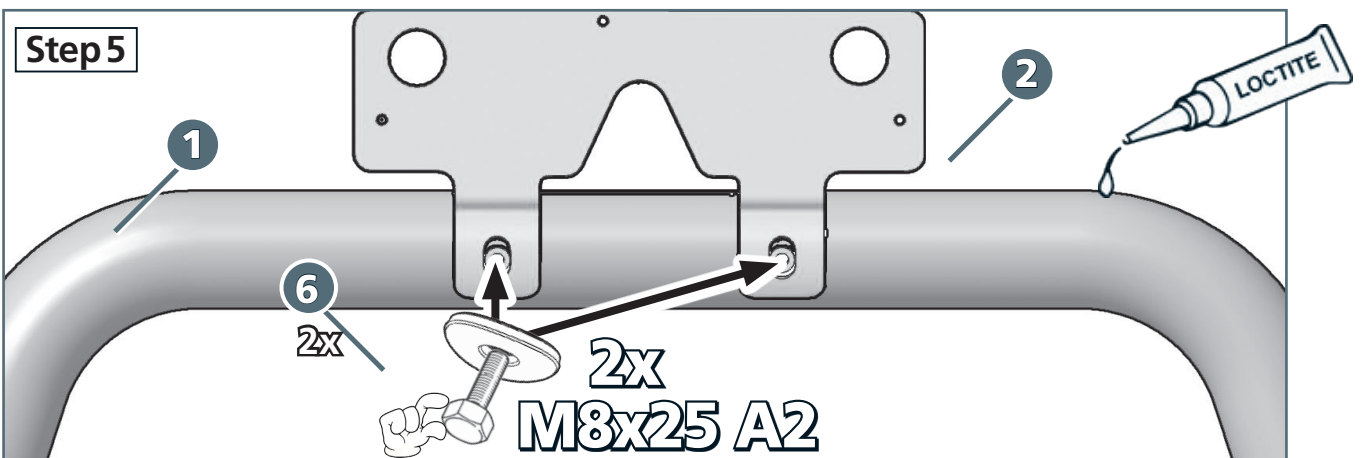
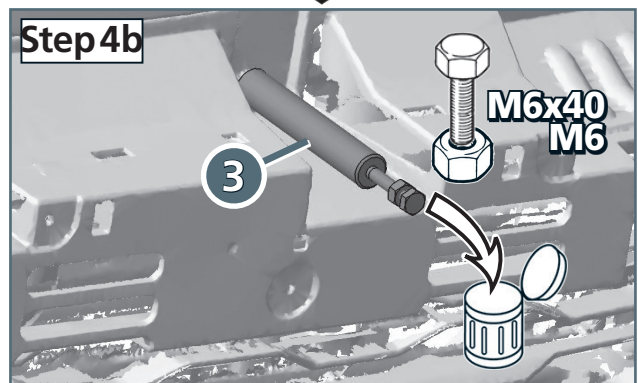
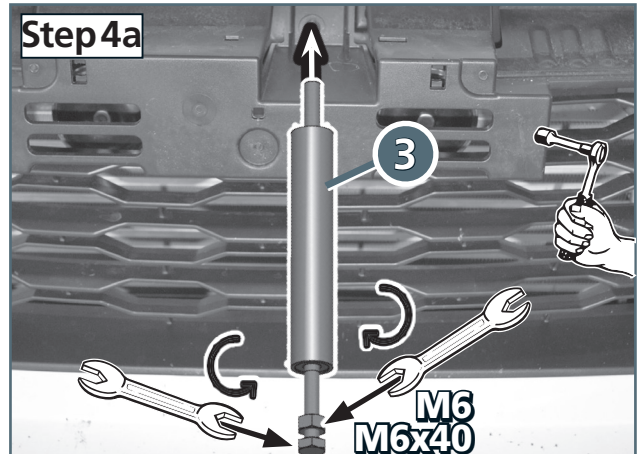
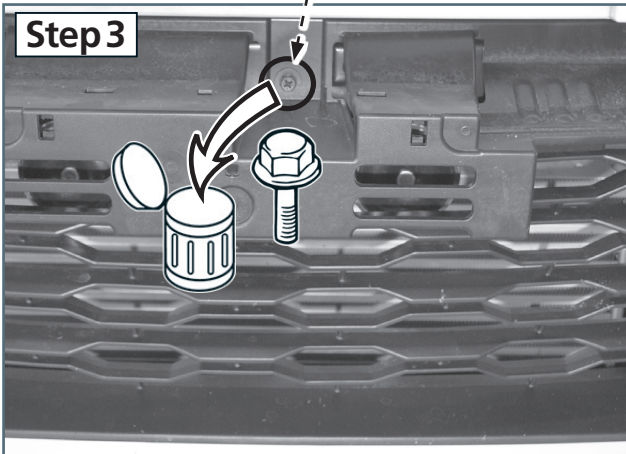
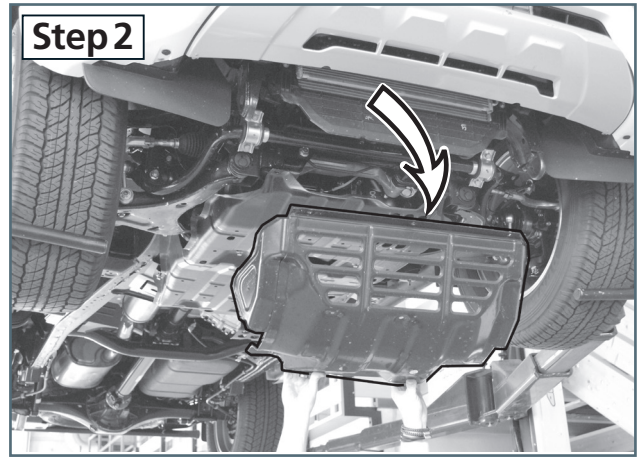
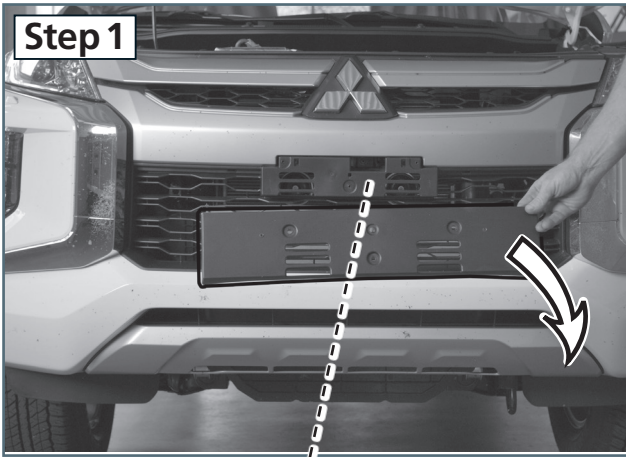
	M6x16; DIN 7991 Zn	<b>1x</b>
	M6x25; DIN 7991 Zn	<b>2x</b>
	M8x20; DIN 912 A2	<b>2x</b>
	M8x25; DIN 933 A2	<b>2x</b>
	M10x100; DIN 933 Zn	<b>2x</b>
	M10; DIN 934 Zn	<b>2x</b>
	Ø 8,4; DIN 125 A2	<b>2x</b>
	Getowell M6	<b>2x</b>
	M6x40; DIN 933 Zn	<b>1x</b>
	M6; DIN 934 Zn	<b>1x</b>

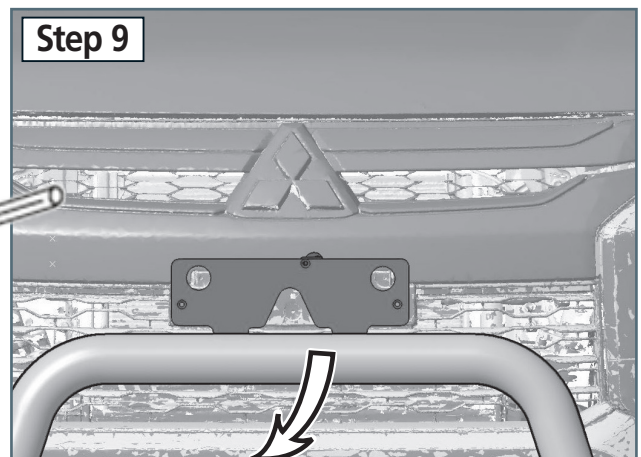
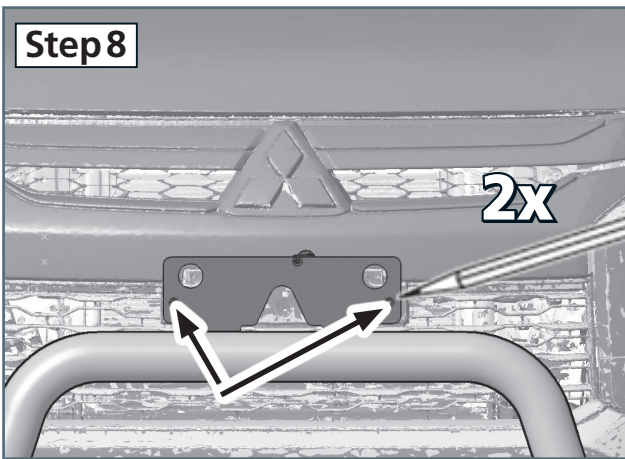
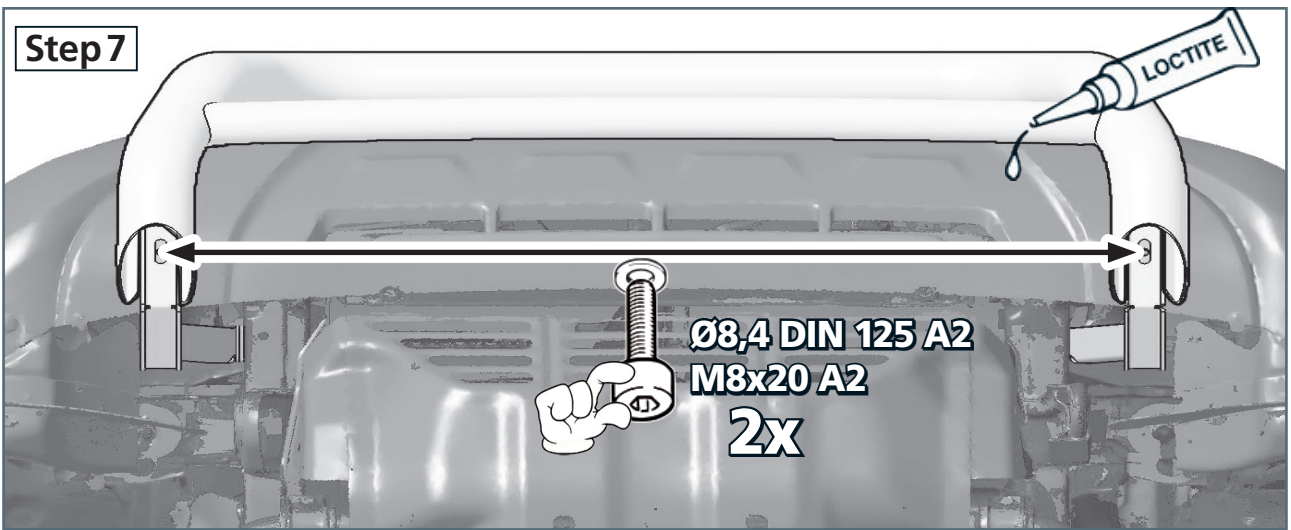
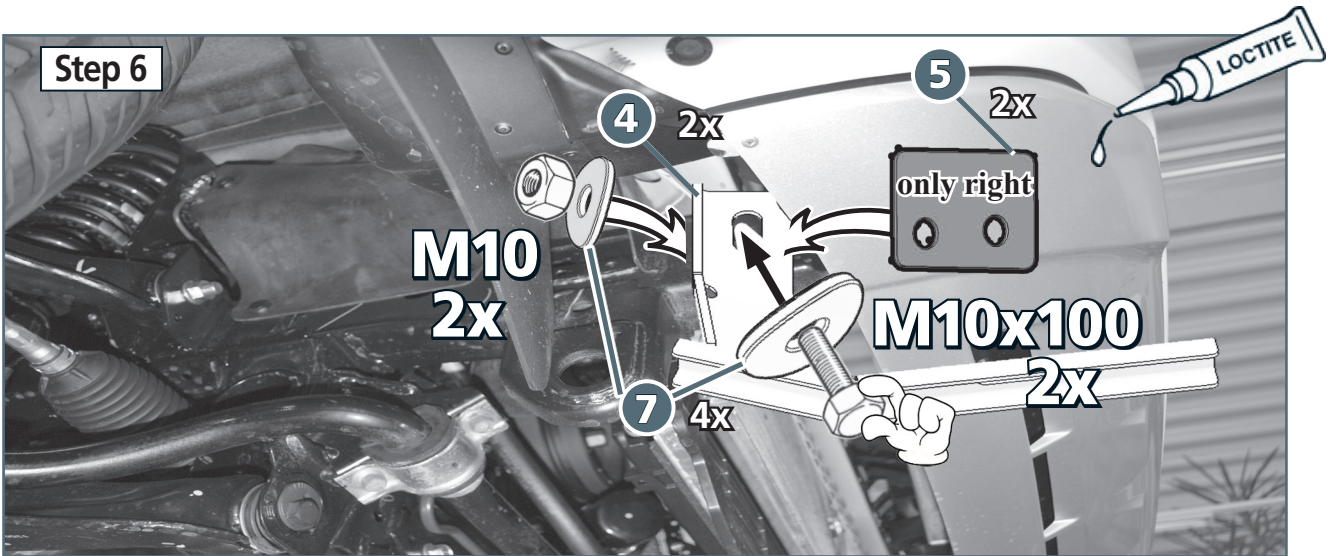


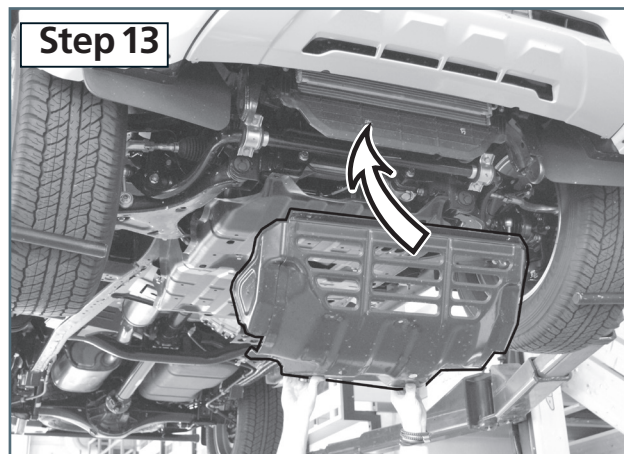
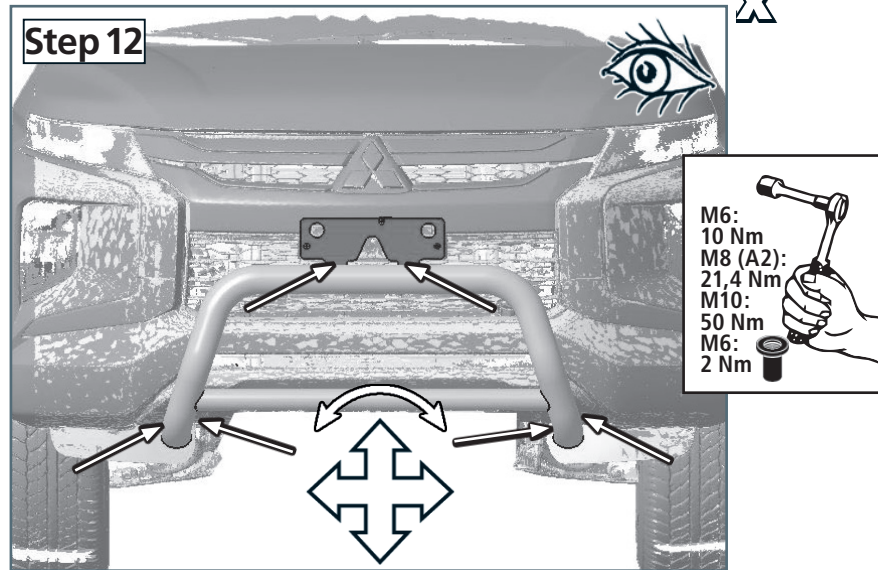
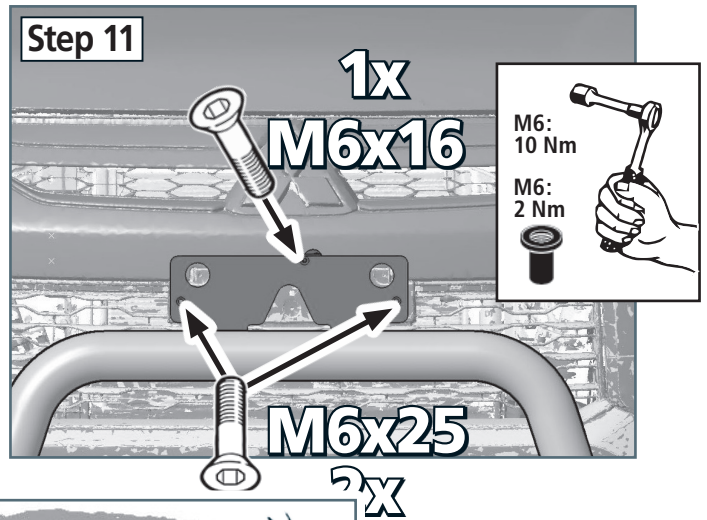
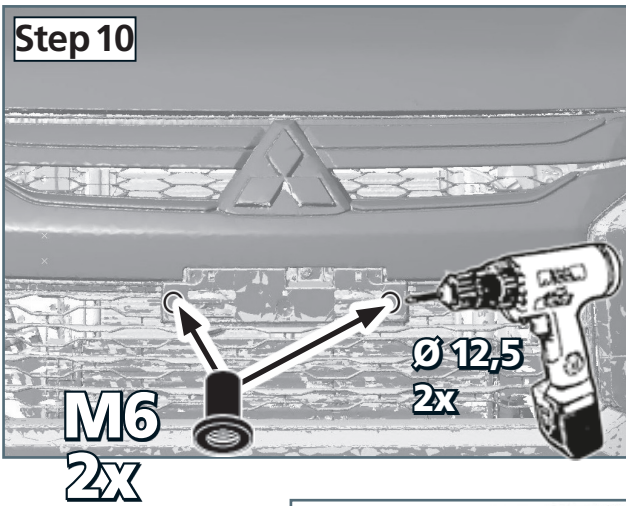
article no.:  
17W4123 (S) inox  
17W5123 black steel

Revision 3: 18.08.2022

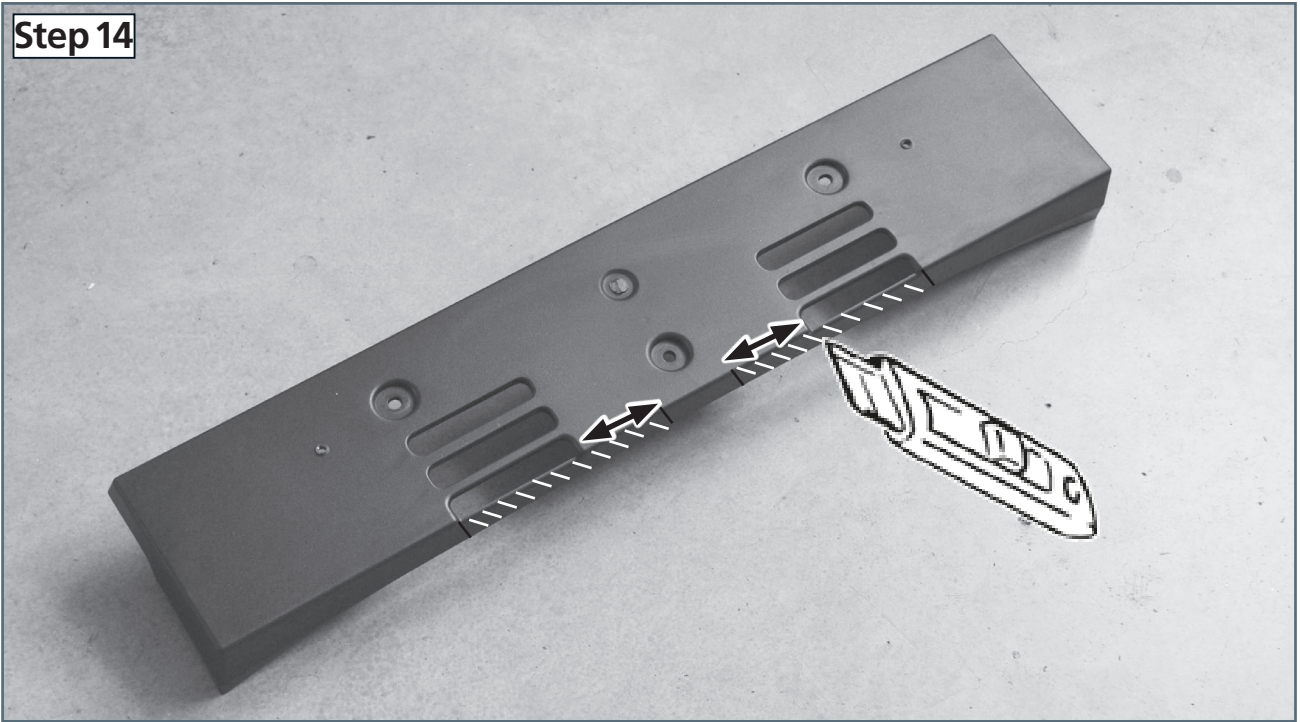




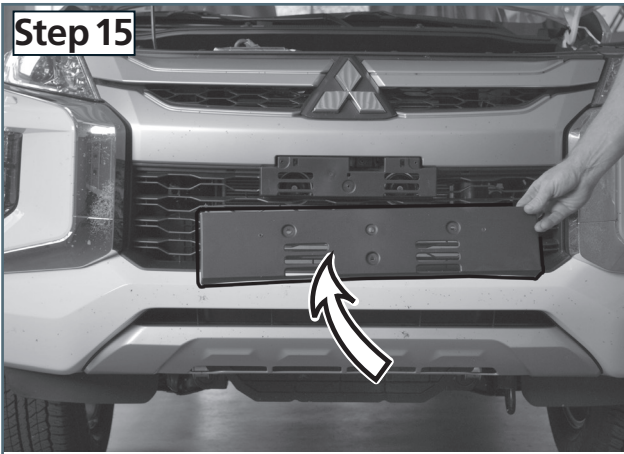




Step 14



Step 15



Step 16

