

**17H
4050**

Ford Tourneo / Transit Courier

Md. 06/2014 + 2018

Side protection bar 51

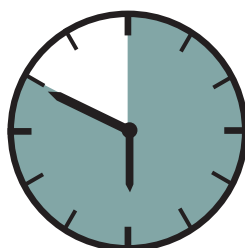
Flankenschutzrohr 51

Protection latérale 51



ASSEMBLY INSTRUCTION

Montageanleitung • Instructions de montage



50 Minuten

article no.:

17H4050 (S) inox

17H5050 black steel

Revision 3: 28.05.2019



M8_(A2):
21,4 Nm
M12:
50 Nm



13
19

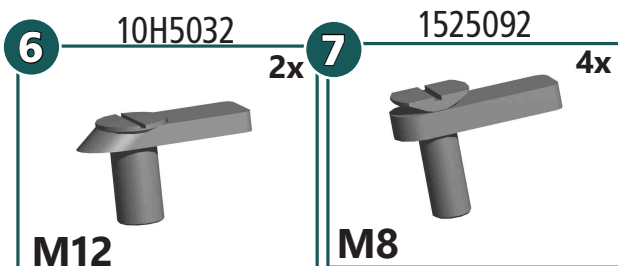
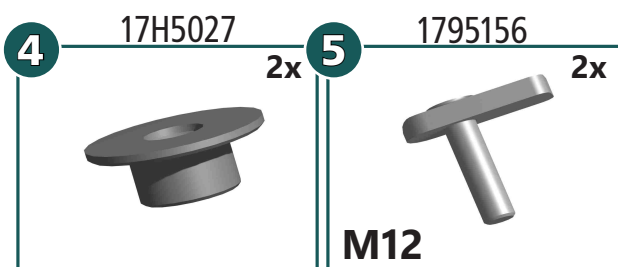
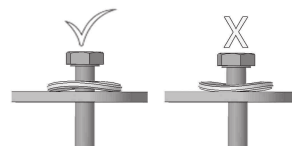
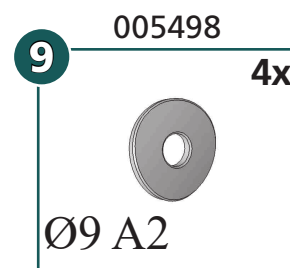
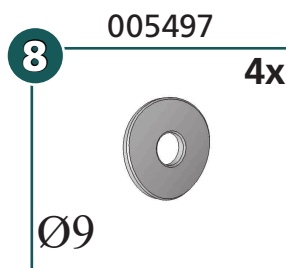
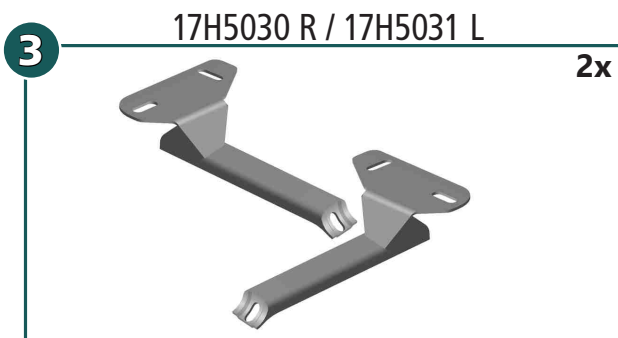
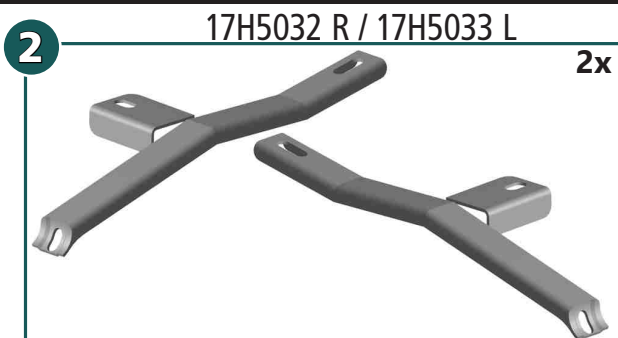


17H4050.1 / 17H5050.1
17H4050.2 / 17H5050.2



mounting kit: 17H9050

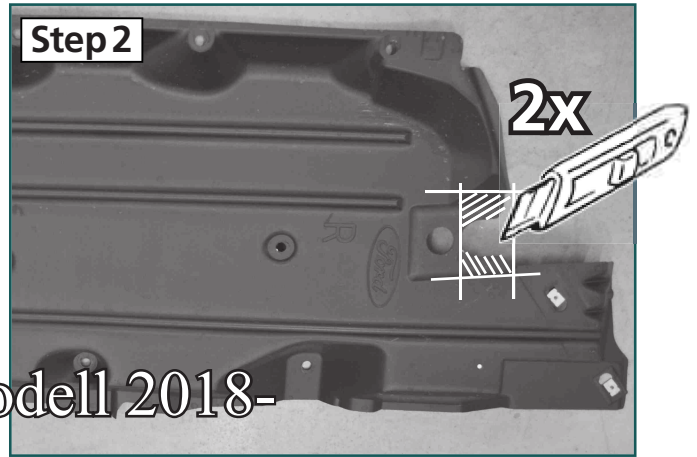
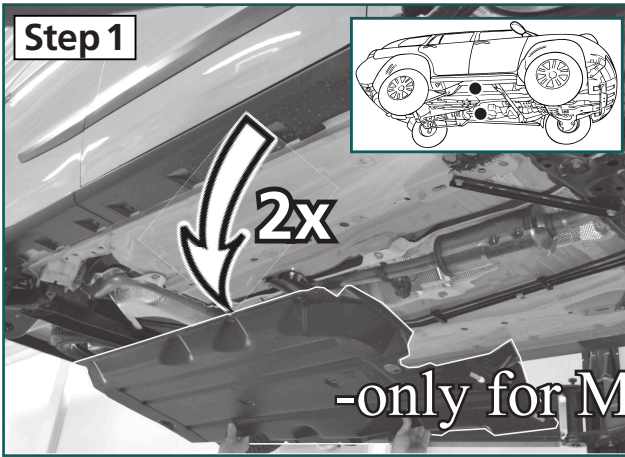
	M8 x25; DIN 933 A2	4x
	M12; DIN 934 Zn	4x
	M8; DIN 934 Zn	4x
	Ø 13; DIN 125 Zn	4x
	Ø 14,2; DIN 9021 Zn -only Modell 2018-	2x
	SW 13	4x



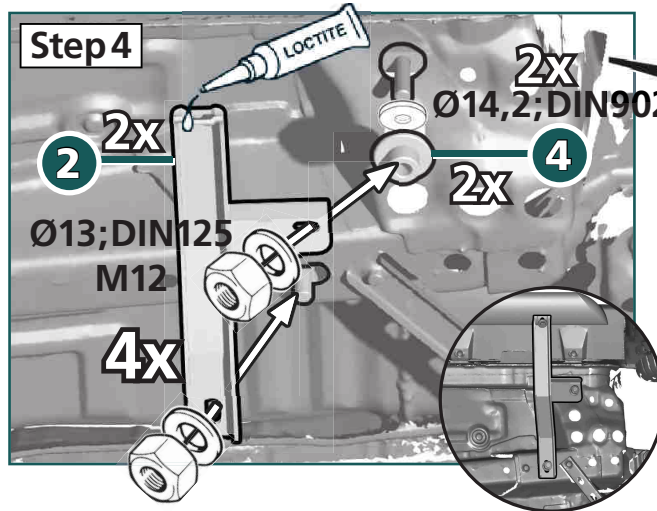
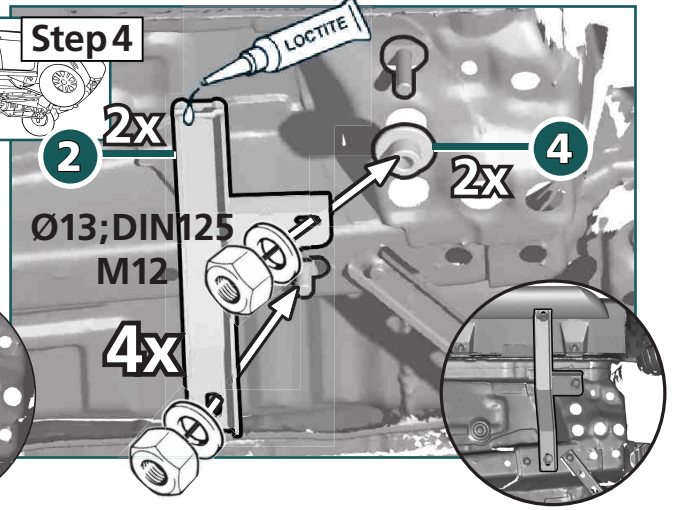
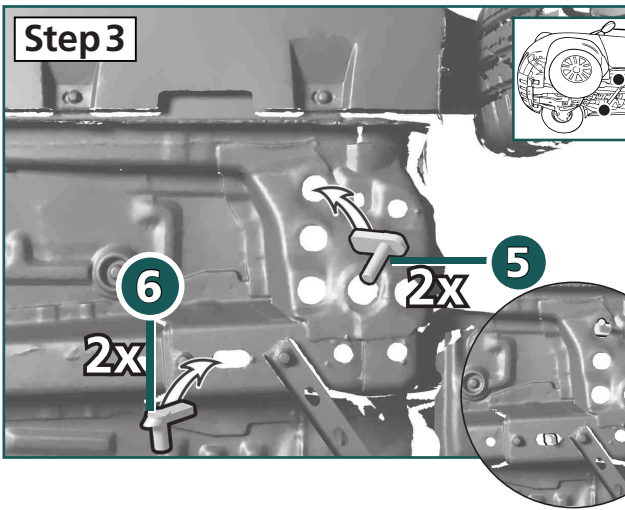
article no.:
17H4050 (S) inox
17H5050 black steel

Revision 3: 28.05.2019

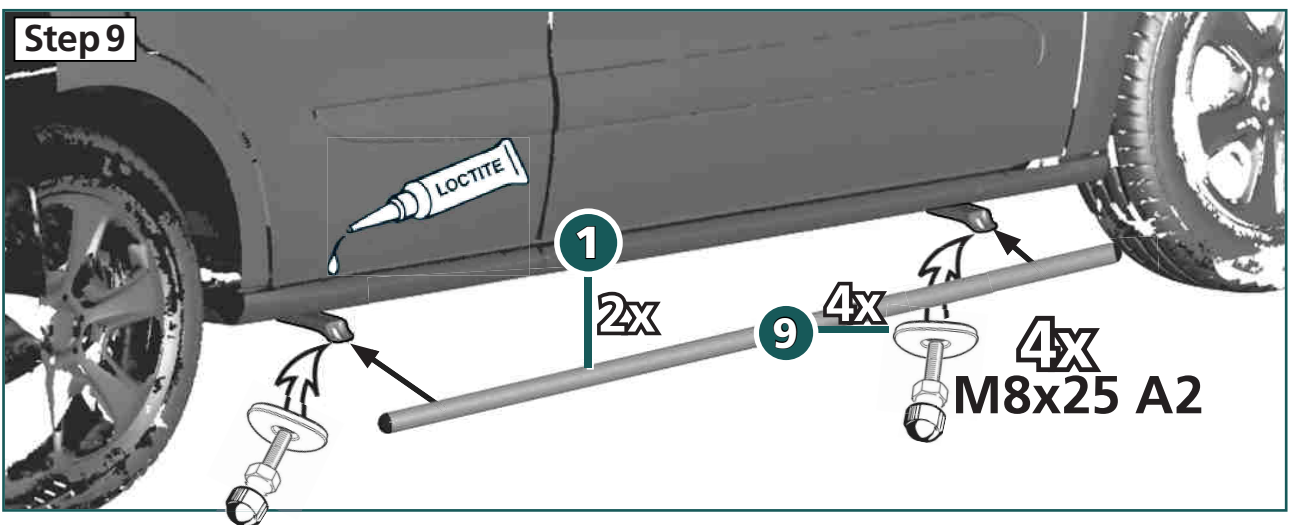
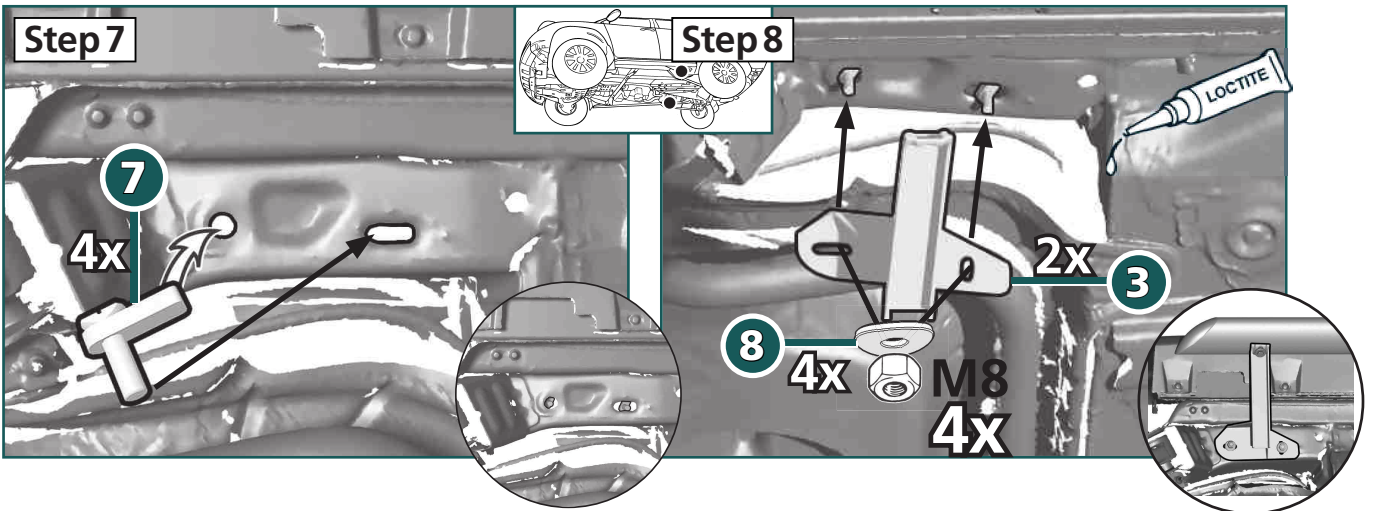
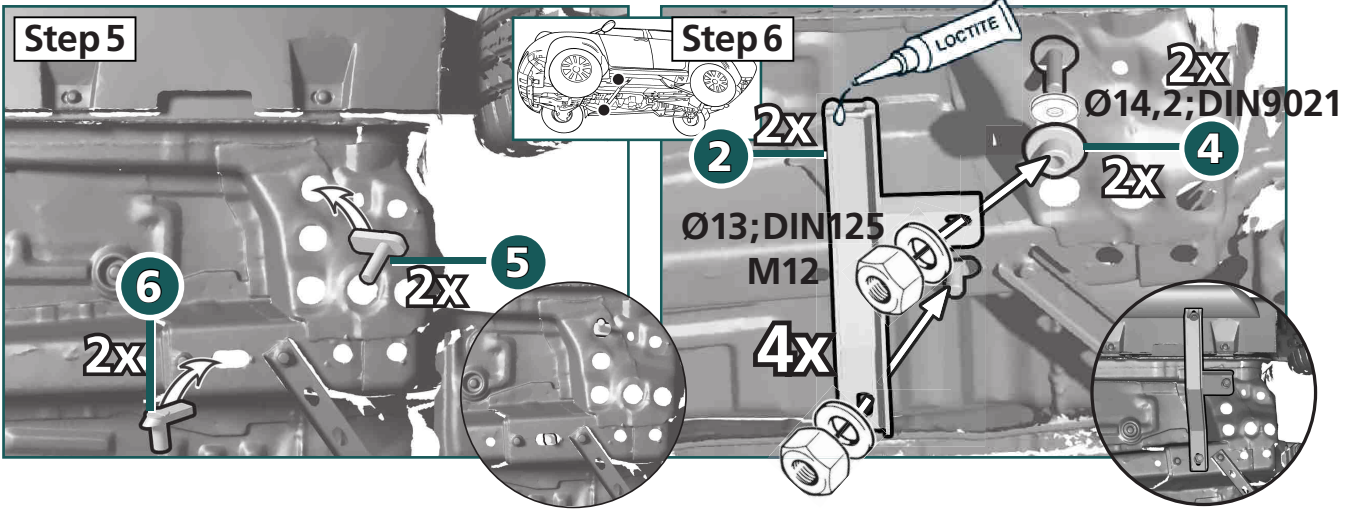




-only for Modell 2018-



-only for
Modell 2018-



-only for Modell 2018-

