

**17A
4351**

**Mercedes V-Klasse 05/2014
Mercedes Vito 10/2014**

wheelbase / Radstand / empattement 3430 mm

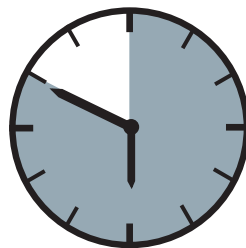
Side protection bar 60 mm, extra long

Flankenschutzrohr 60 mm, extra lang

Protection latérale 60 mm, extra longue



ASSEMBLY INSTRUCTION
Montageanleitung • Instructions de montage

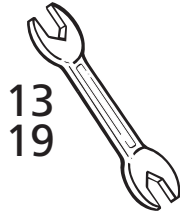


50 Minuten

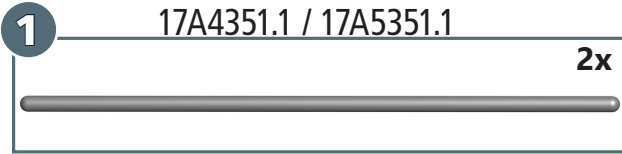
Artikel-Nr:
17A4351 stainless steel
17A5351 black steel

Revision 3: 08.04.2021

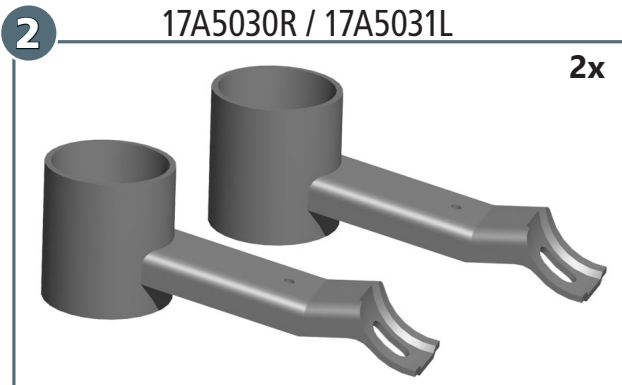




M8^(A2): 21,4 Nm
M12: 87 Nm



mounting kit: 17A9051



	Ø 13; DIN 125 Zn	4x
	M8 x 25; DIN 933 A2	4x
	M12; DIN 934 Zn	4x

