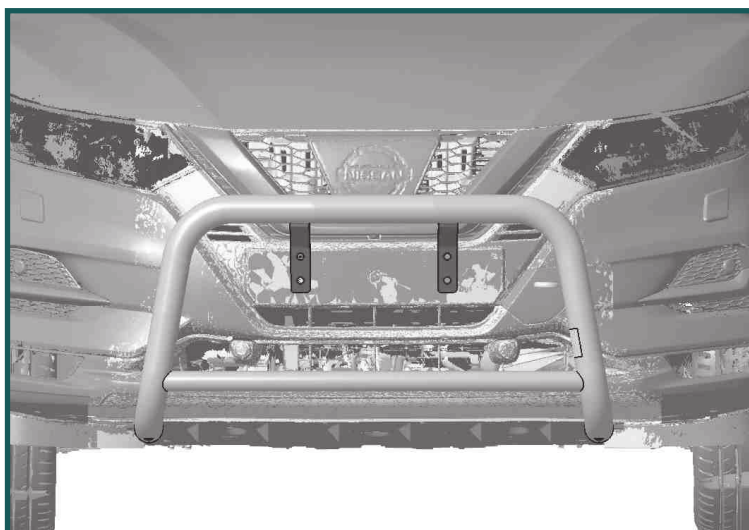


16Y
4513

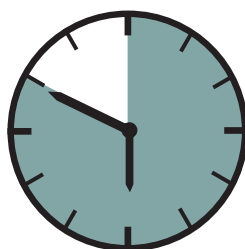
Nissan Qashqai, Md. 03/2017

EU-Personenschutzbügel 60 mm mit Querrohr 42 mm
EU-Pedestrian Protection Bar 60 mm with cross pipe 42mm
Protection avant, homologuée CEE, 60 mm, traverse 42mm



ASSEMBLY INSTRUCTION

Montageanleitung • Instructions de montage

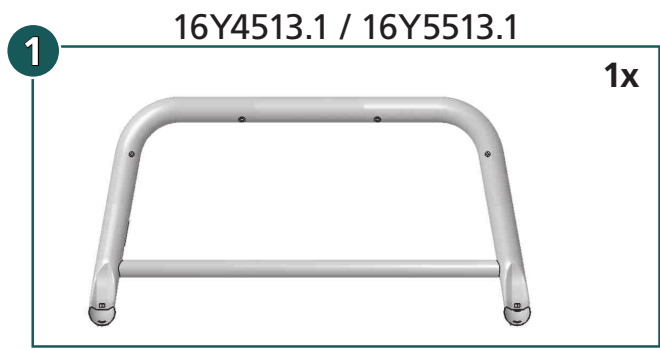
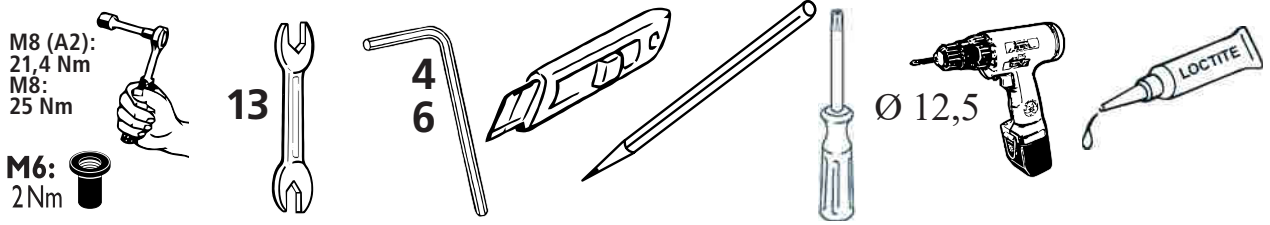


50 Minuten

article no.:
16Y4513 (S) inox
16Y5513 black steel

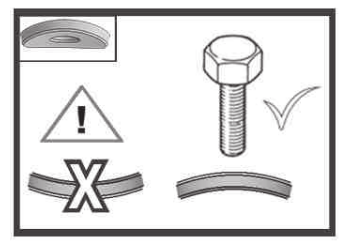
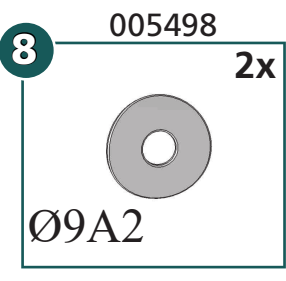
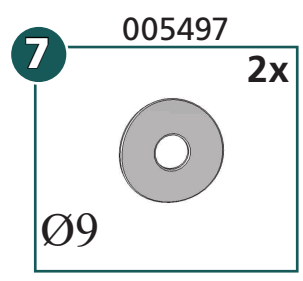
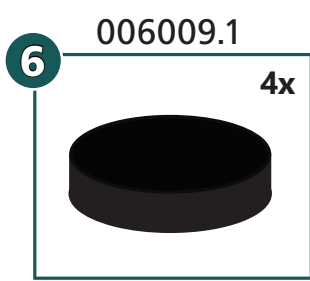
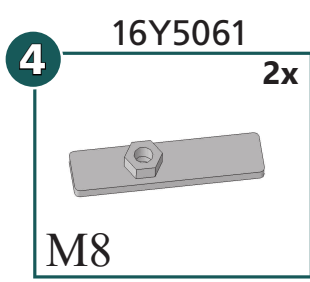
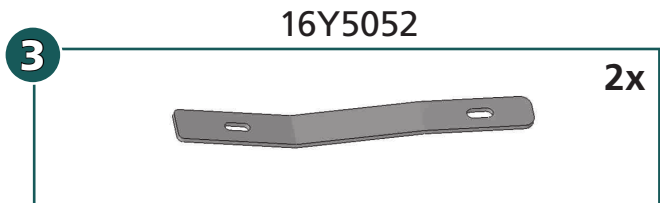
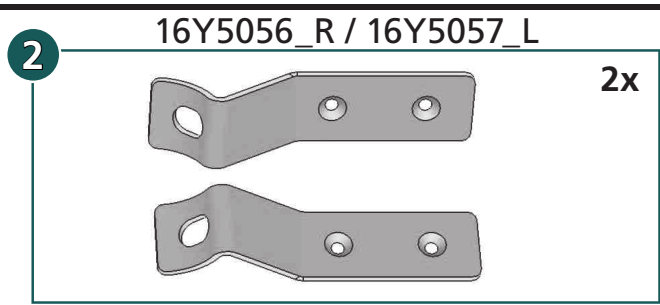
Revision 1: 10.12.2018





mounting kit: 16Y9513

	M6x35; DIN 7991 Zn	4x
	M8x20; DIN 912 A2	2x
	M8x30; DIN 933 A2	2x
	M8x25; DIN 933 Zn	2x
	Ø 3,5x13 (DIN ähnl.7981 B) A2	2x
	Ø 4,2; DIN 9021 A2	2x
	M6; DIN 934 A2	2x
	Ø 8,4; DIN 125 A2	2x
	Getowell M6	4x
	GP-DZ-015x010-M6x50-NR55-V2A	2x
	SW 13	2x



article no.:
16Y4513 (S) inox
16Y5513 black steel

Revision 1: 10.12.2018



