

**16T
4051**

Ford Transit Custom (L1), Md. 2013+2018
Ford Tourneo Custom (L1), Md. 2013+2018

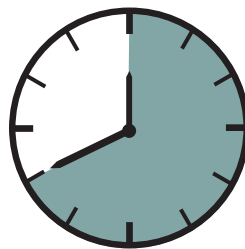
Flankenschutzrohr 90 x 45 mm oval mit Noppen
Oval side bar 90 x 45 mm with dots
Barre latérale ovale 90 x 45 mm avec des points

(Radstand 2933 mm / Wheel base 2933 mm / Empattement 2933 mm)



ASSEMBLY INSTRUCTION

Montageanleitung • Instructions de montage



40 Minuten

Artikel-Nr:
16T4051 Stainless Steel
16T5051 Steel black

Revision 7: 01.08.2019



M8: 25 Nm
M8 (A2): 21,4 Nm
M6: 10 Nm



10
13

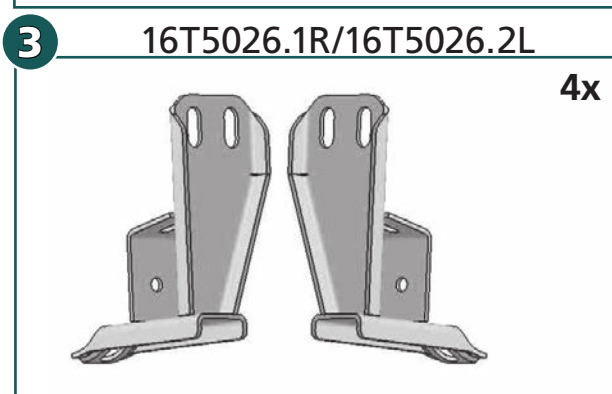
16T4051.1R / 16T5051.1R
16T4051.2L / 16T5051.2L



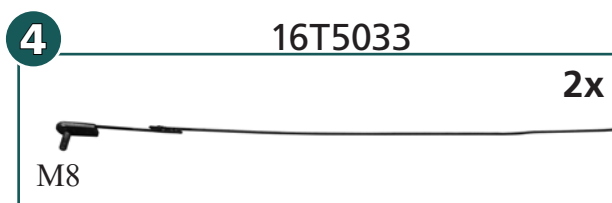
16T5027.1R / 16T5027.2L



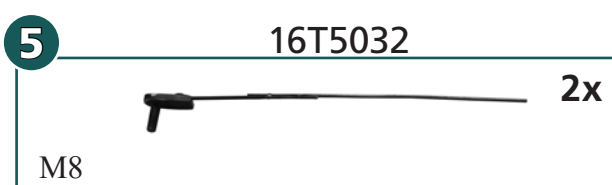
16T5026.1R/16T5026.2L



16T5033

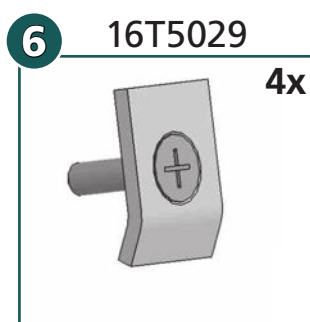


16T5032

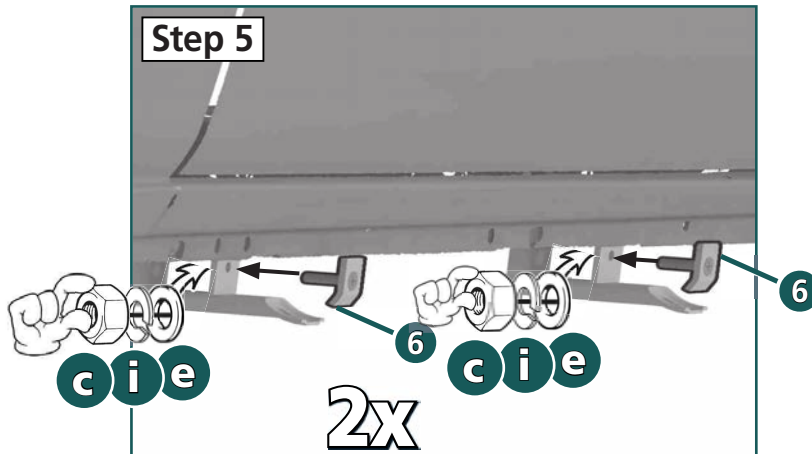
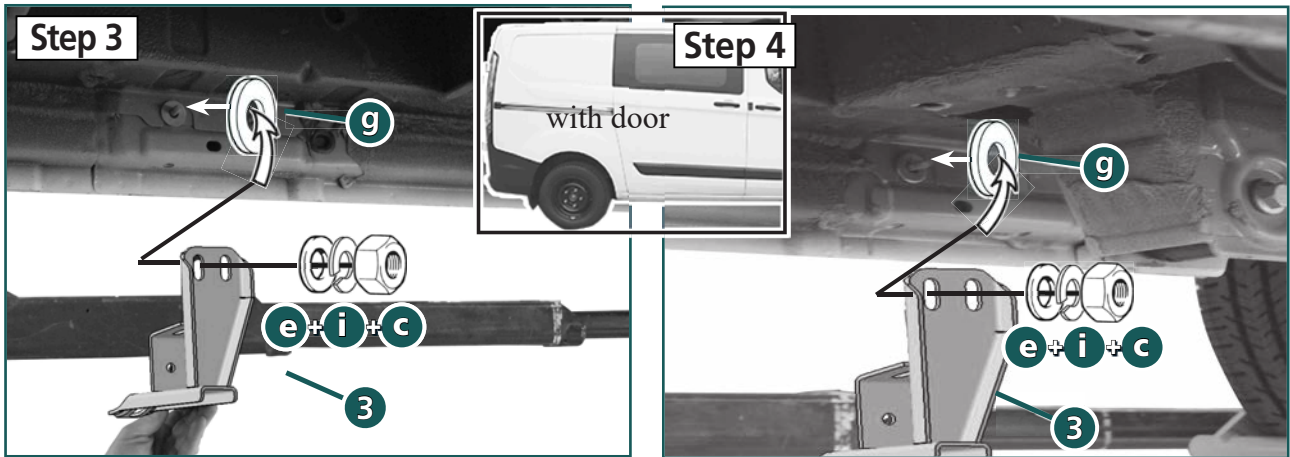
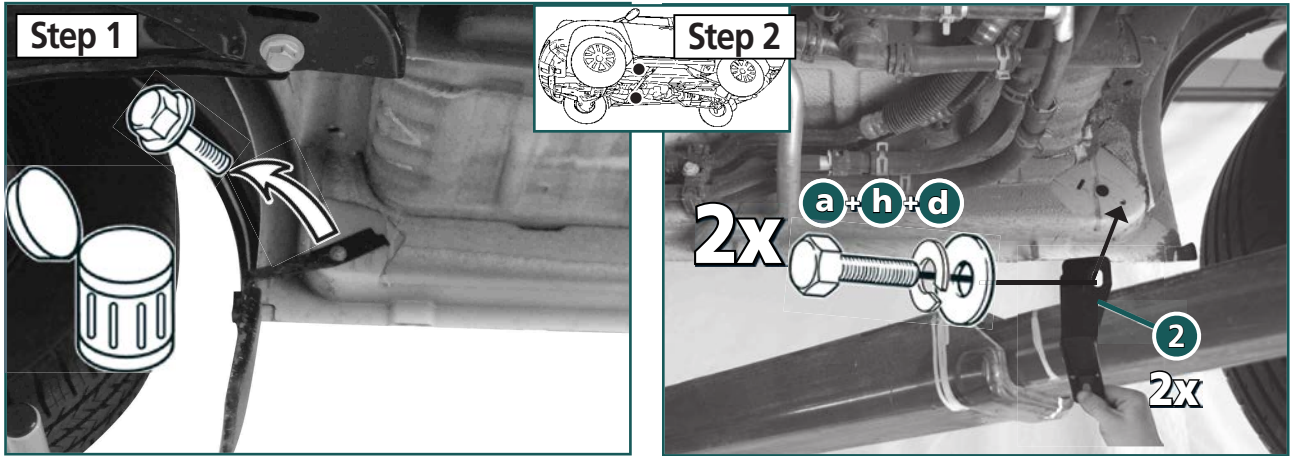


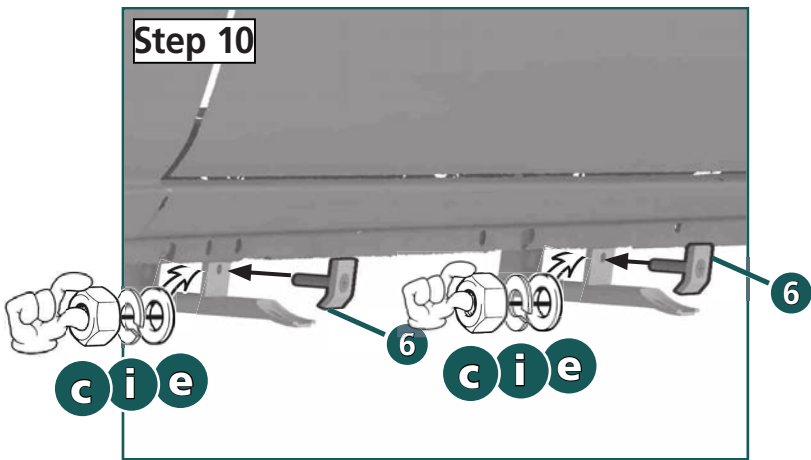
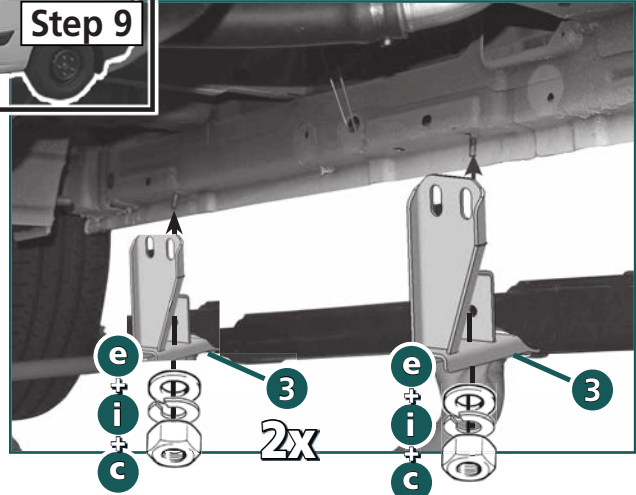
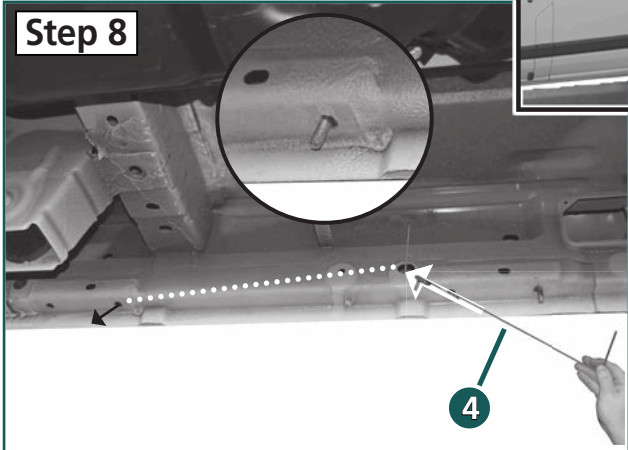
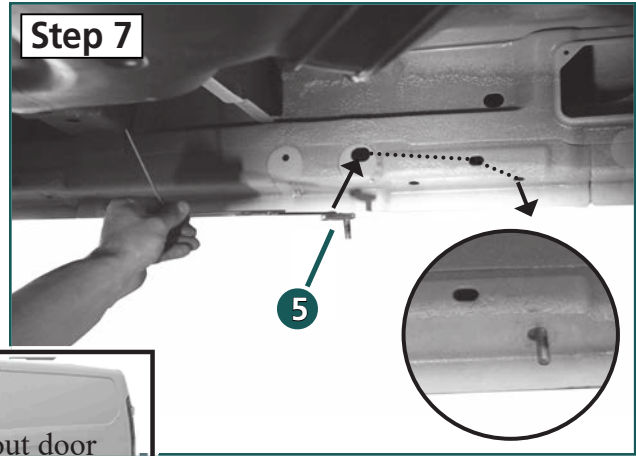
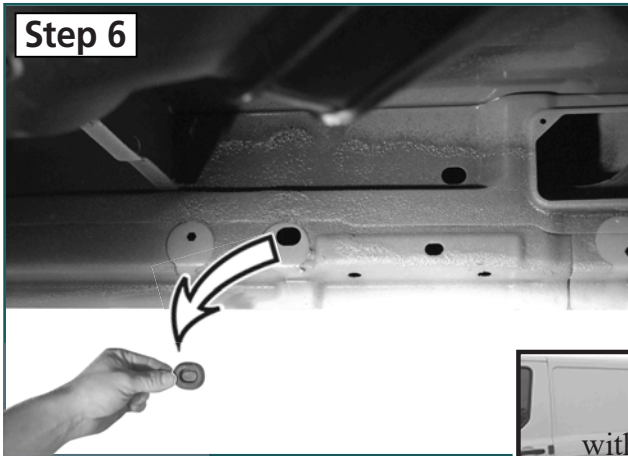
a		M6 x 25; DIN 933 Zn	2x
b		M8 x 20; DIN 933 A2	6x
c		M8; DIN 934 Zn	8x
d		Ø 6,4; DIN 9021 Zn	2x
e		Ø 8,4; DIN 9021 Zn	8x
f		Ø 8,4; DIN 9021 A2	6x
g		Ø 10,5; DIN 9021 Zn	4x
h		Ø 6; DIN 127 Zn	2x
i		Ø 8; DIN 127 Zn	8x
j		Ø 8; DIN 127 A2	6x
k		SW 13 mm	6x

16T5029

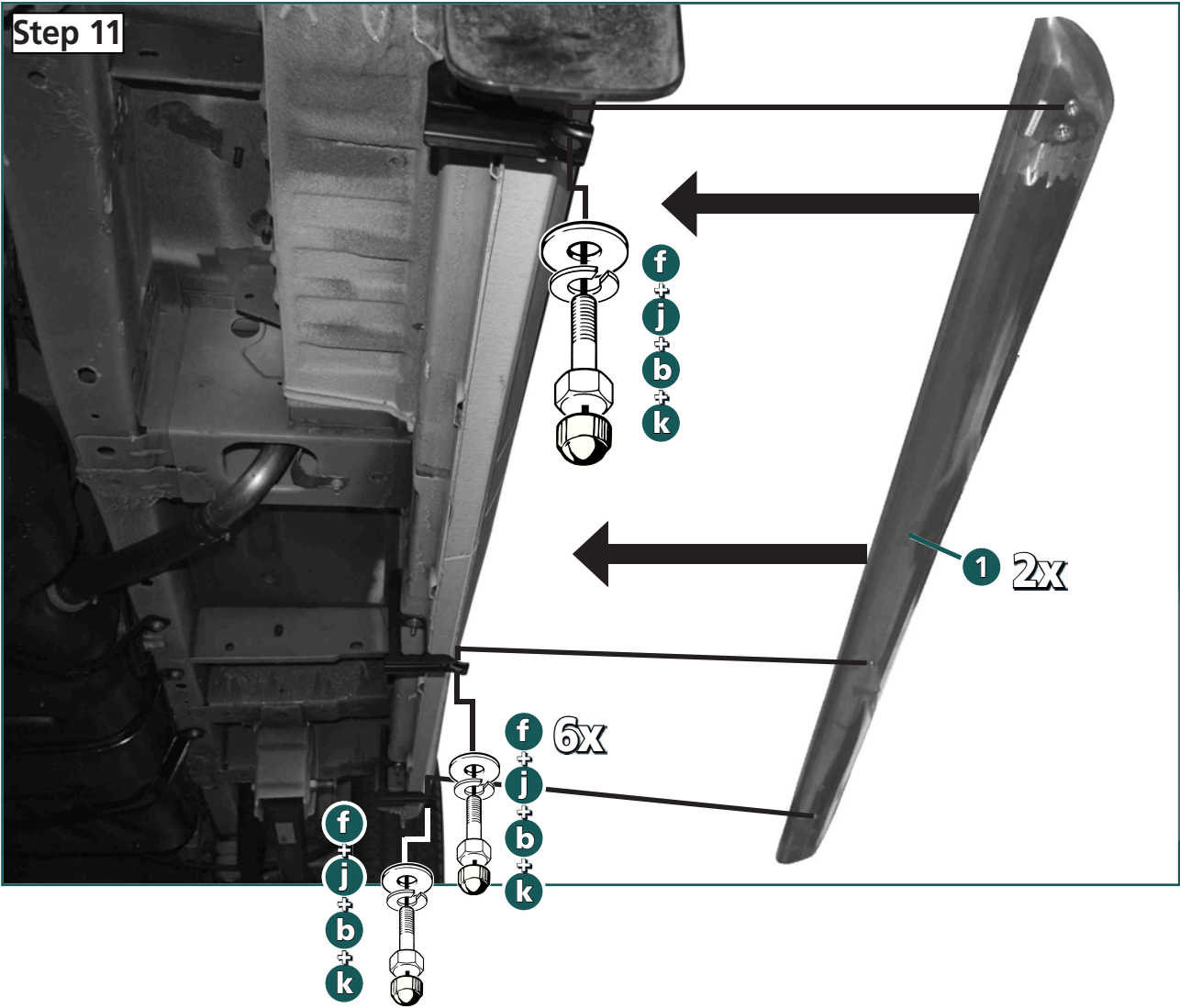


Modell 2013

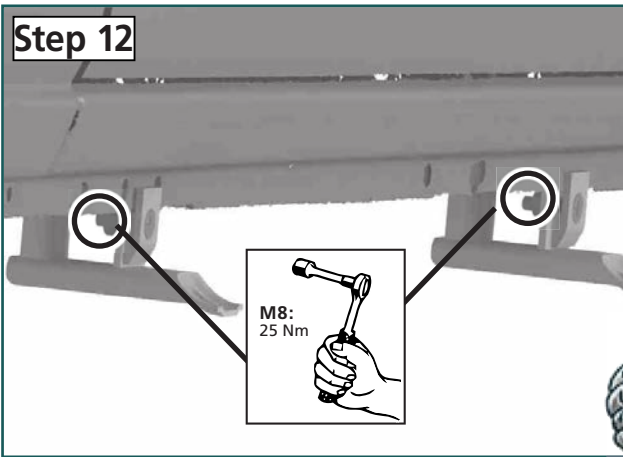




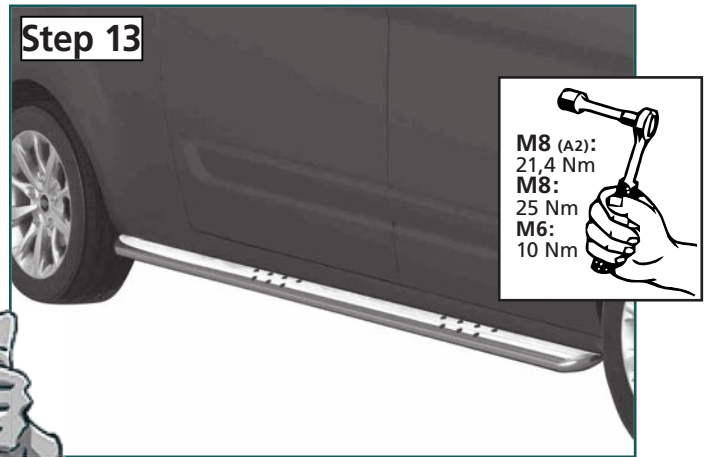
Step 11



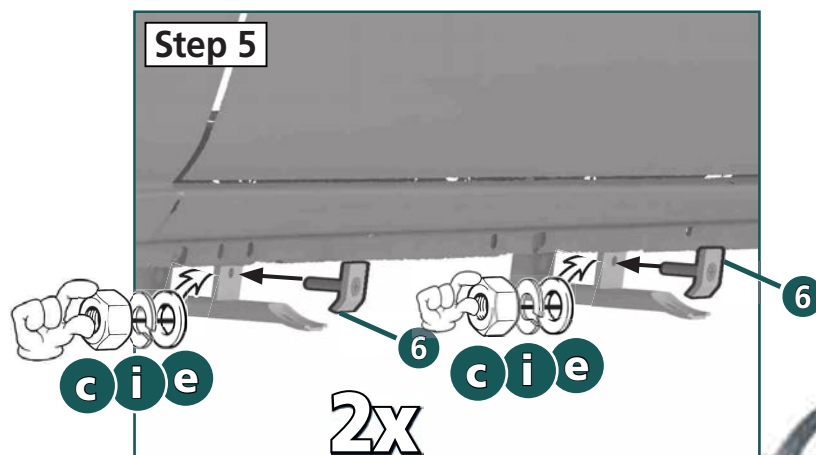
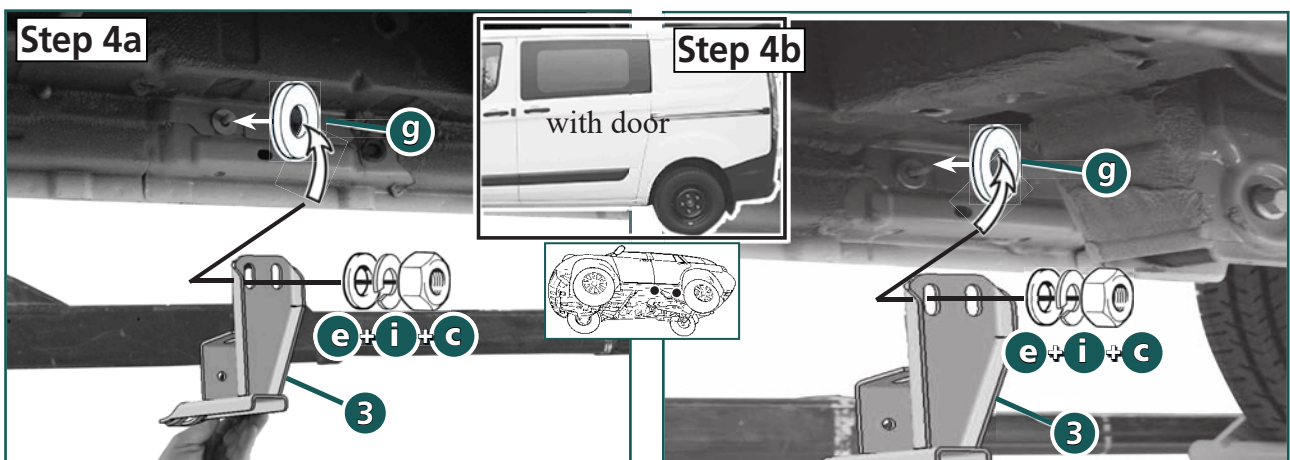
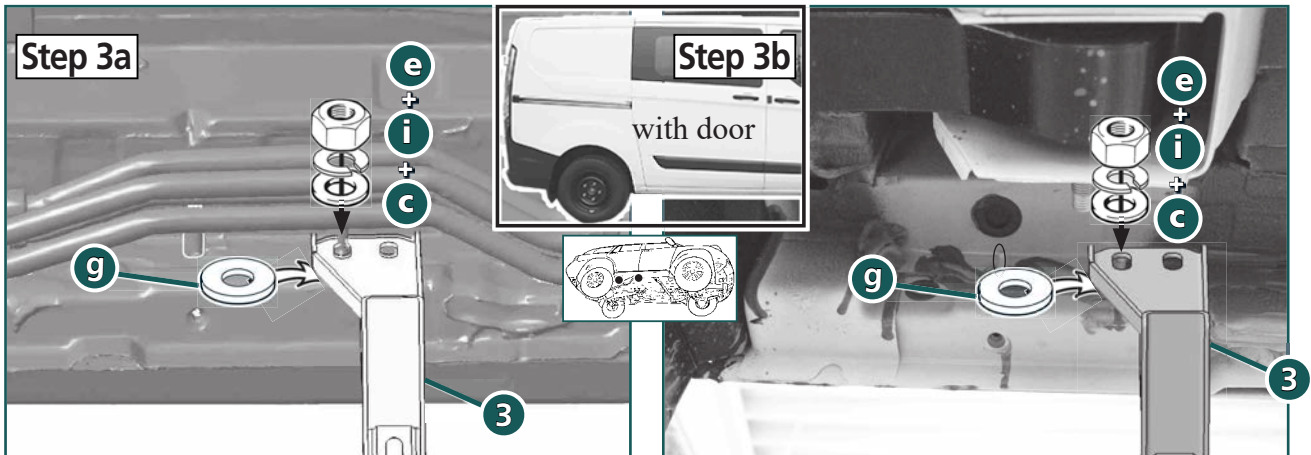
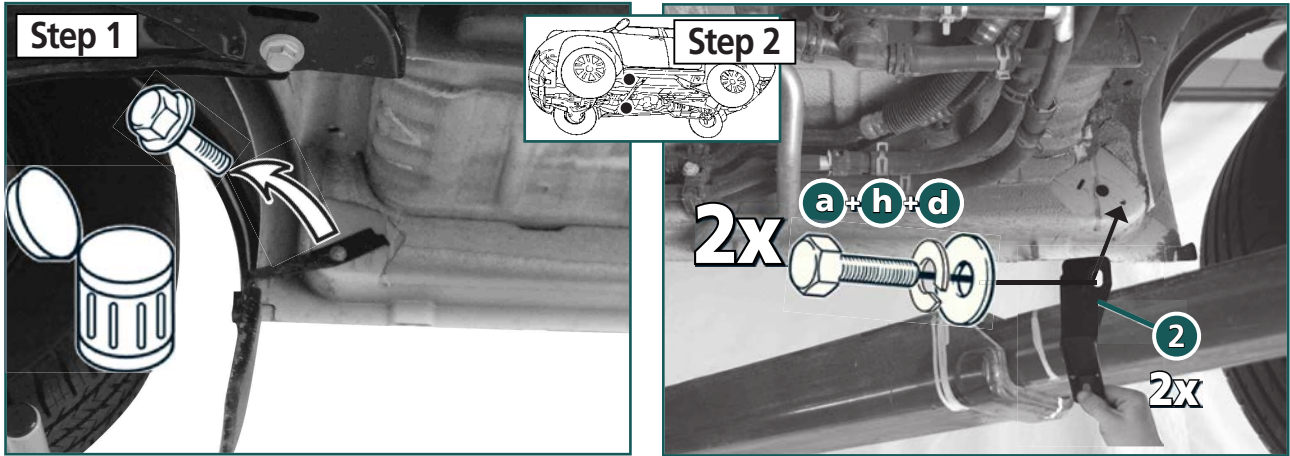
Step 12

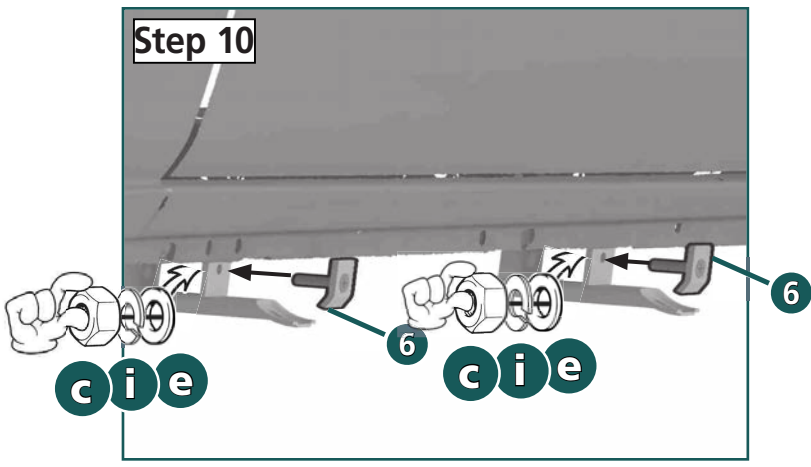
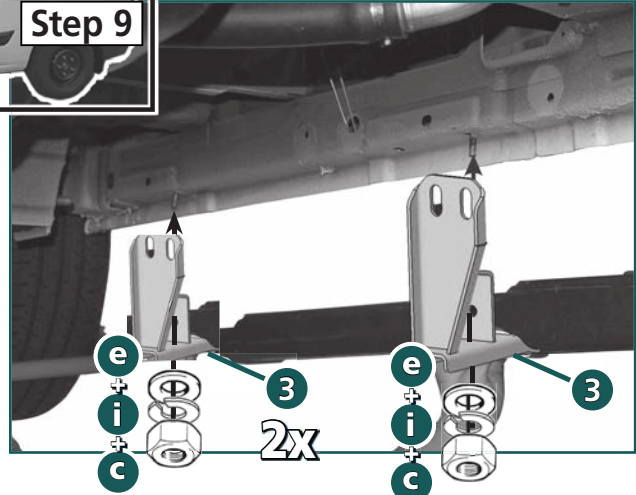
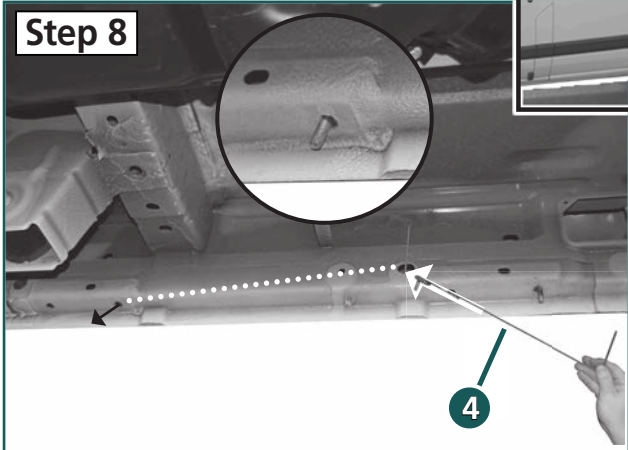
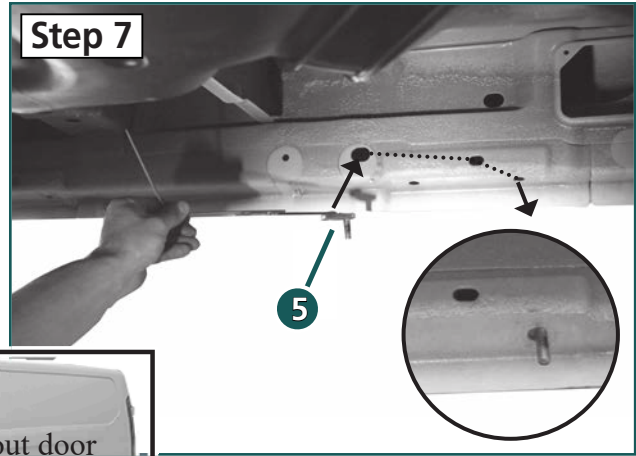
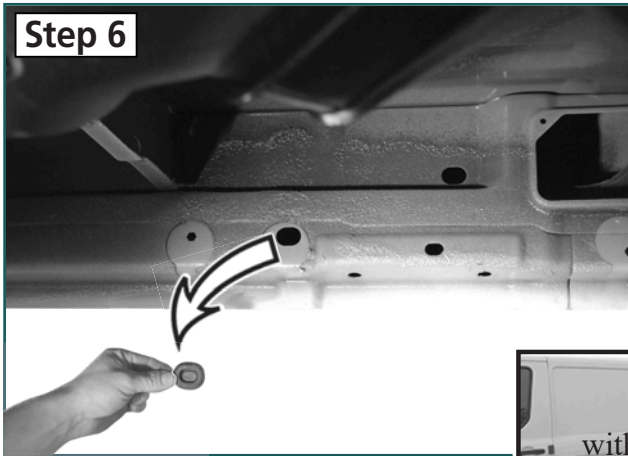


Step 13

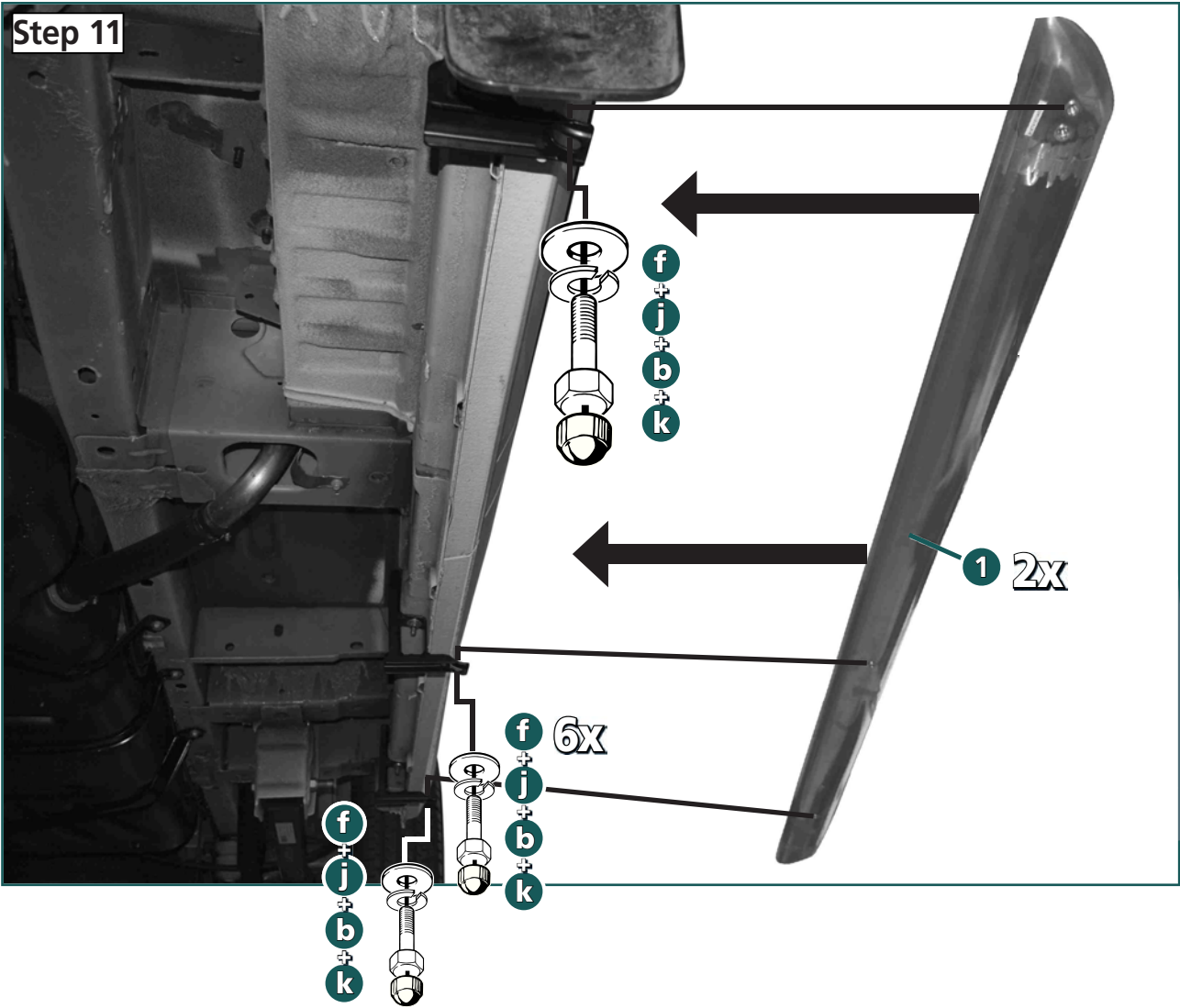


Modell 2018

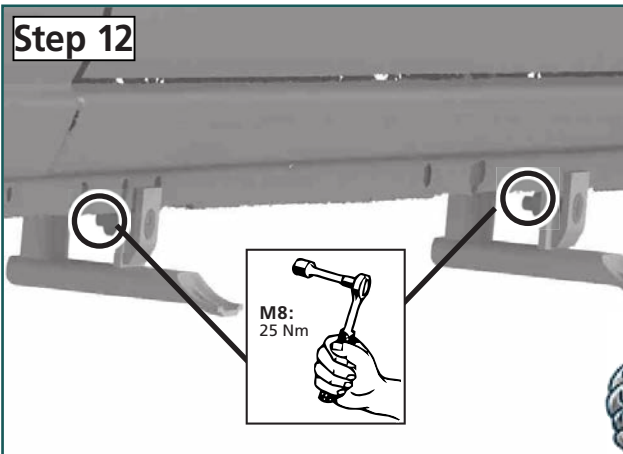




Step 11



Step 12



Step 13

