

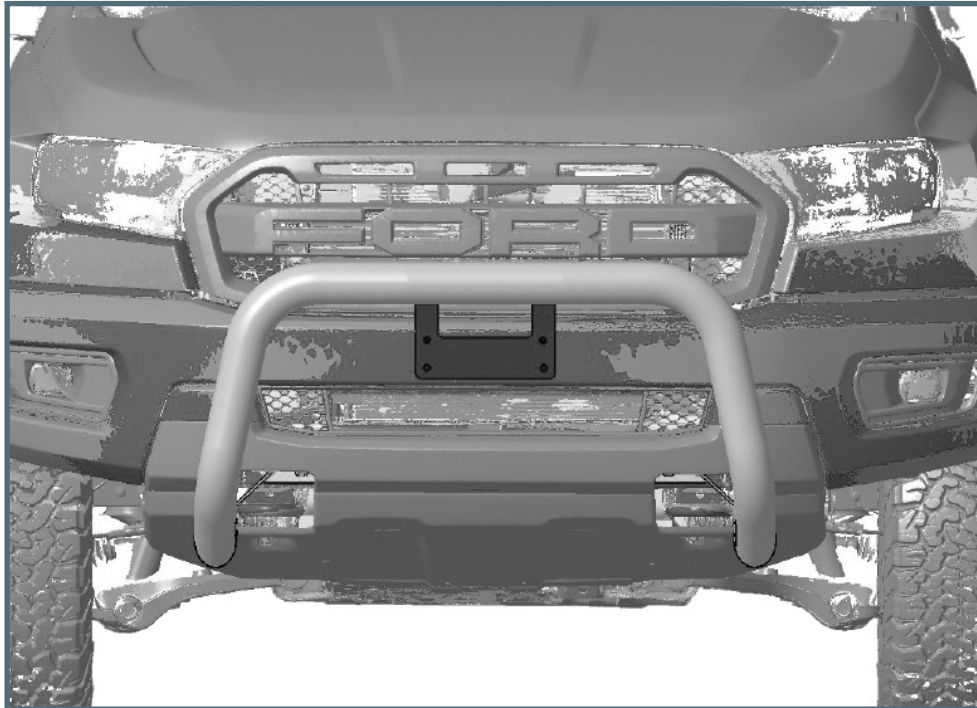
**15V  
4313R**

## Ford Ranger Raptor; Md. 2019

EU-Pedestrian Protection Bar 76 mm

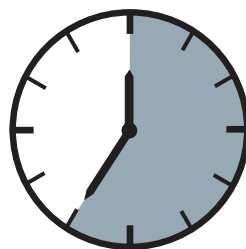
EU-Personenschutzbügel 76 mm

Protection avant, homologuée CEE, 76 mm



# ASSEMBLY INSTRUCTION

Montageanleitung • Instructions de montage



35 Minuten

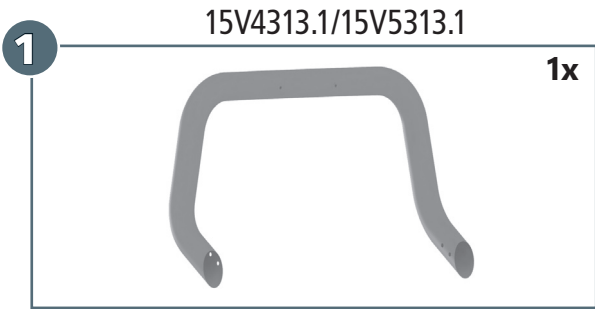
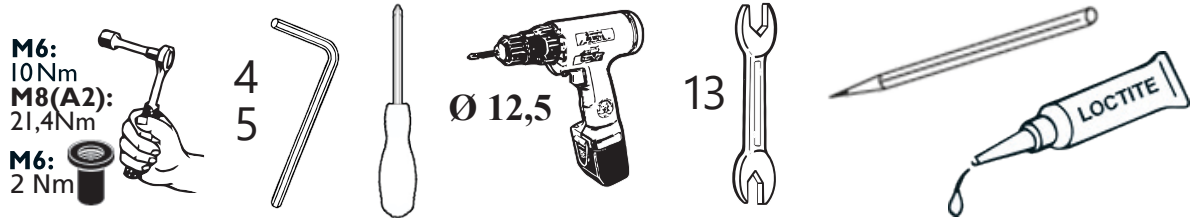
article no.:

15V4313R (S) inox

15V5313R black steel

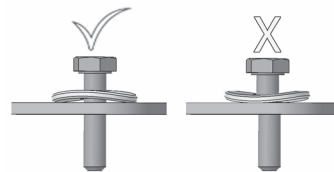
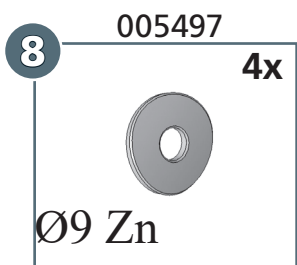
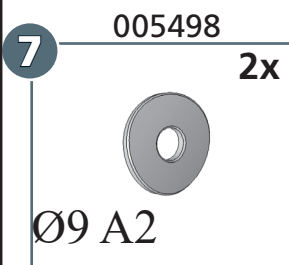
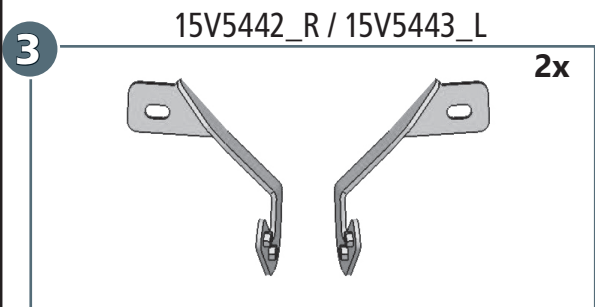
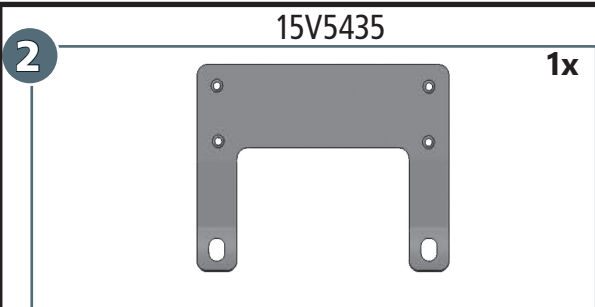
Revision 2: 27.11.2023





mounting kit: 15V9213R

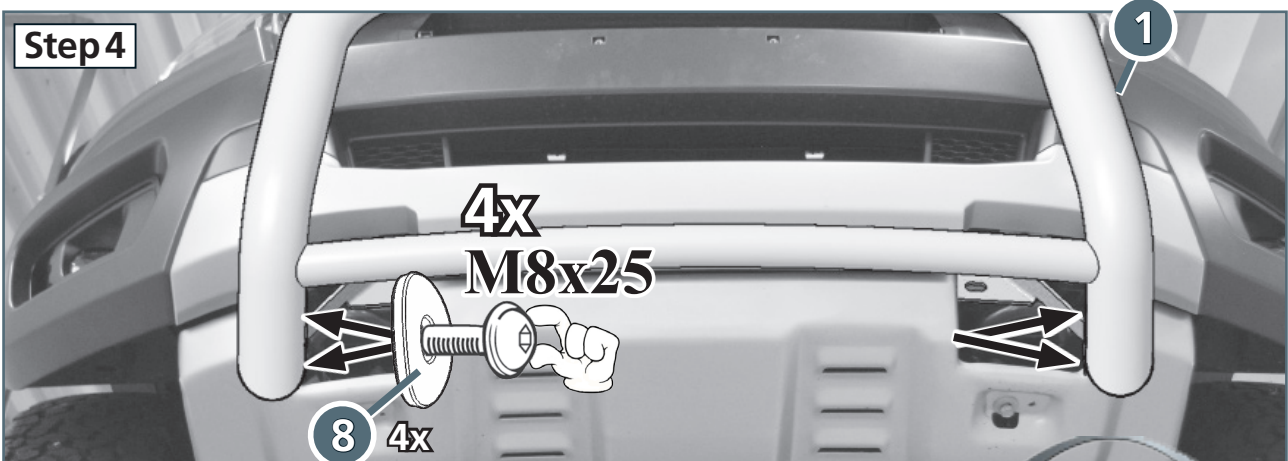
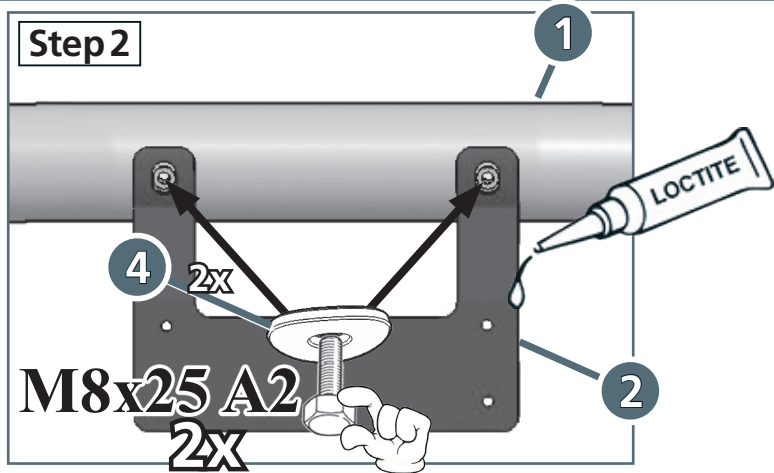
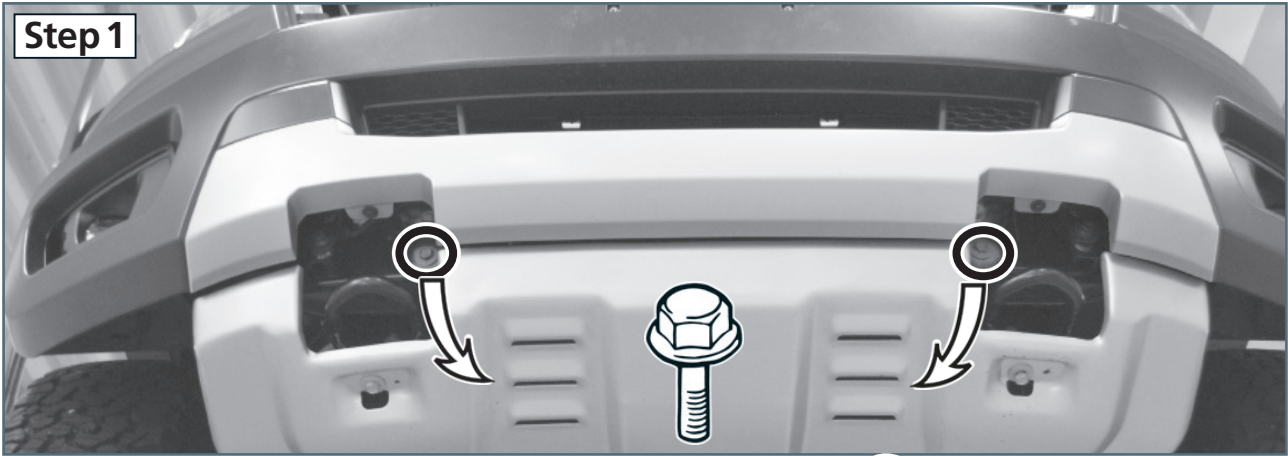
|  |                            |    |
|--|----------------------------|----|
|  | M6 x 25; DIN 7991 Zn       | 4x |
|  | M8 x 25; ähnl. ISO 7380 Zn | 4x |
|  | M8 x 25; DIN 933 A2        | 2x |
|  | Ø 4,8 x 19 mm; DIN 7981 A2 | 4x |
|  | Ø 5,3; DIN 9021 A2         | 4x |
|  | SW 13                      | 2x |
|  | Getowell M6                | 2x |

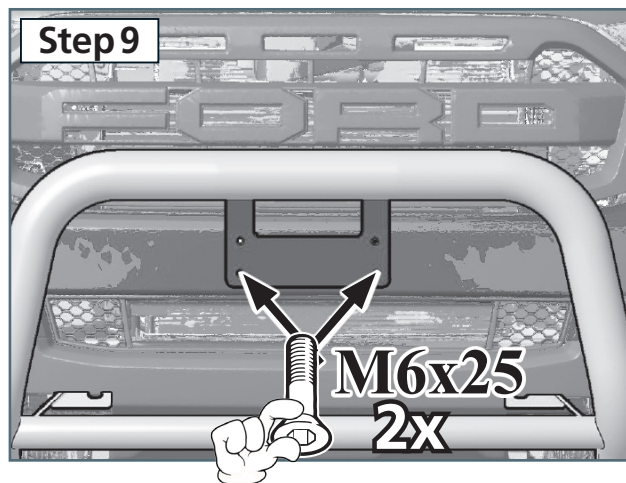
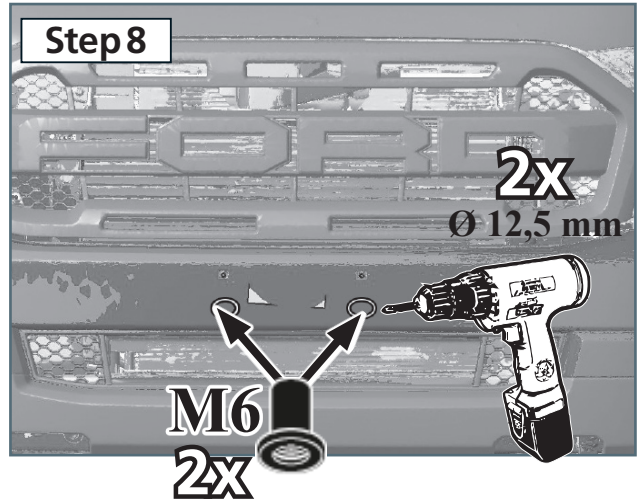
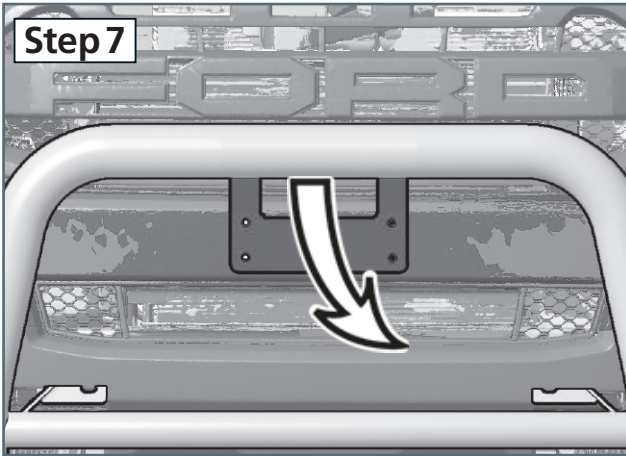
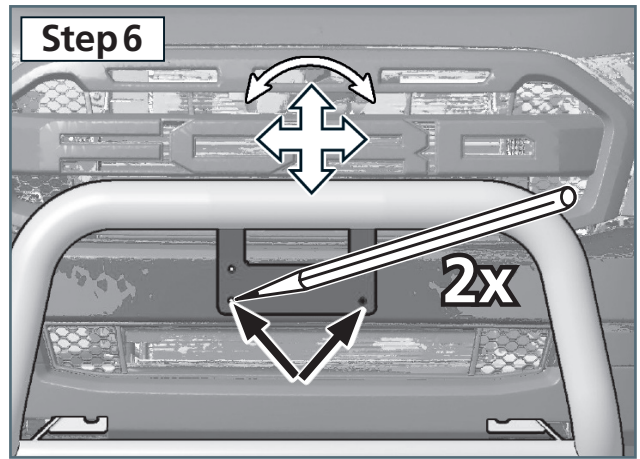
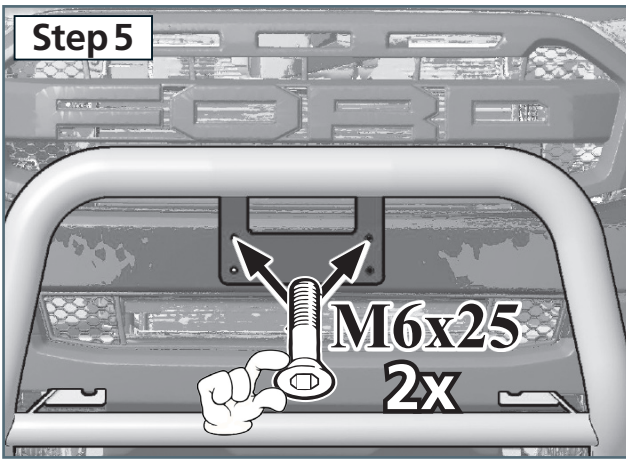


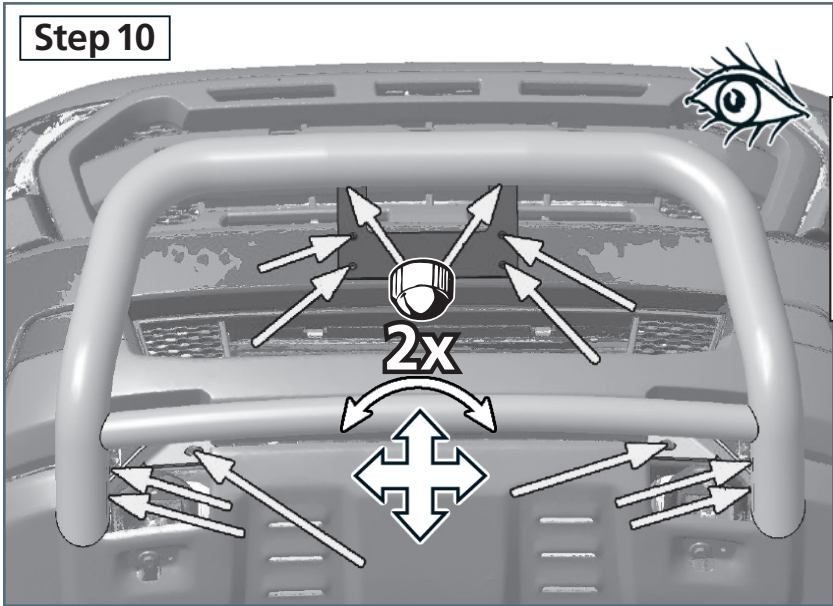
article no.:  
 15V4313R (S) inox  
 15V5313R black steel

Revision 2: 27.11.2023









**M6:**  
10 Nm

**M8(A2):**  
21,4 Nm

**M6:**  
2 Nm

