

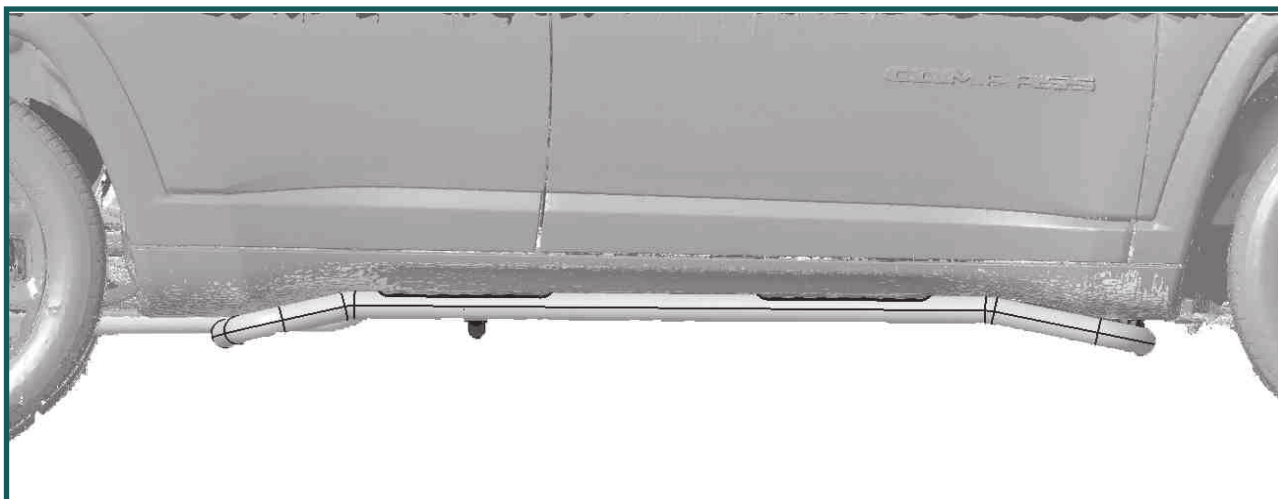
**12T  
4150**

## Jeep Compass Md. 07/2017

Side protection bar 51 mm with steps

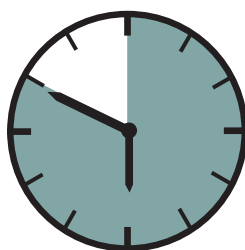
Flankenschutzrohr 51 mm mit Auftritt

Protection latérale rondes 51 mm avec apparence



# ASSEMBLY INSTRUCTION

Montageanleitung • Instructions de montage



**50 Minuten**

article no.:

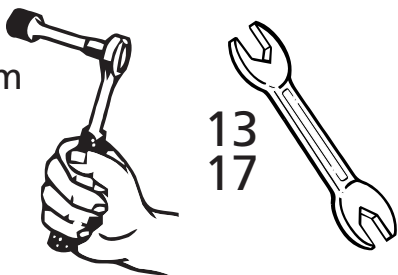
12T4150 (S) inox

12T5150 black steel

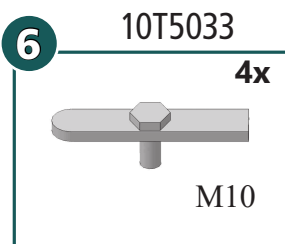
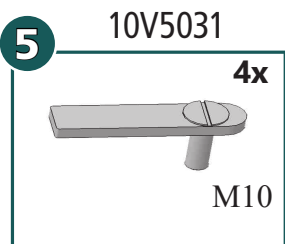
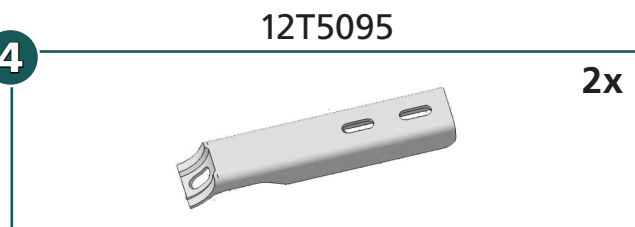
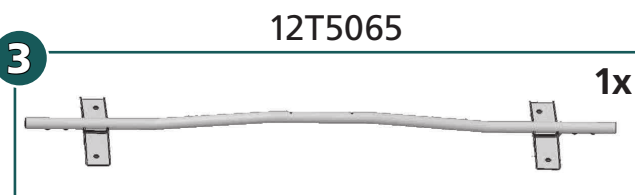
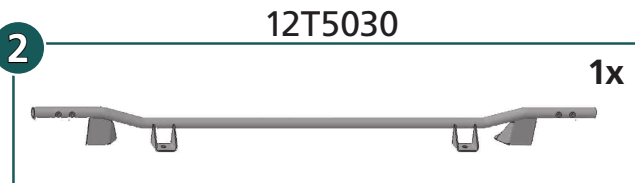
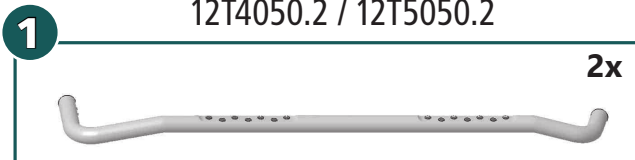
**Revision 2: 23.04.2018**



**M8<sub>(A2)</sub>:**  
21,4 Nm  
**M8:**  
25 Nm  
**M10:**  
50 Nm



12T4050.1 / 12T5050.1  
12T4050.2 / 12T5050.2



mounting kit: 12T9950

	M8x20; DIN 933 Zn	<b>4x</b>
	M8x25; DIN 933 A2	<b>6x</b>
	M10; DIN 934 Zn	<b>8x</b>
	Ø 8; DIN 127 A2	<b>2x</b>
	Ø 8; DIN 127 Zn	<b>4x</b>
	Ø 10; DIN 127 Zn	<b>8x</b>
	Ø 8,4; DIN 9021 A2	<b>6x</b>
	Ø 8,4; DIN 9021 Zn	<b>4x</b>
	Ø 10,5; DIN 9021 Zn	<b>8x</b>



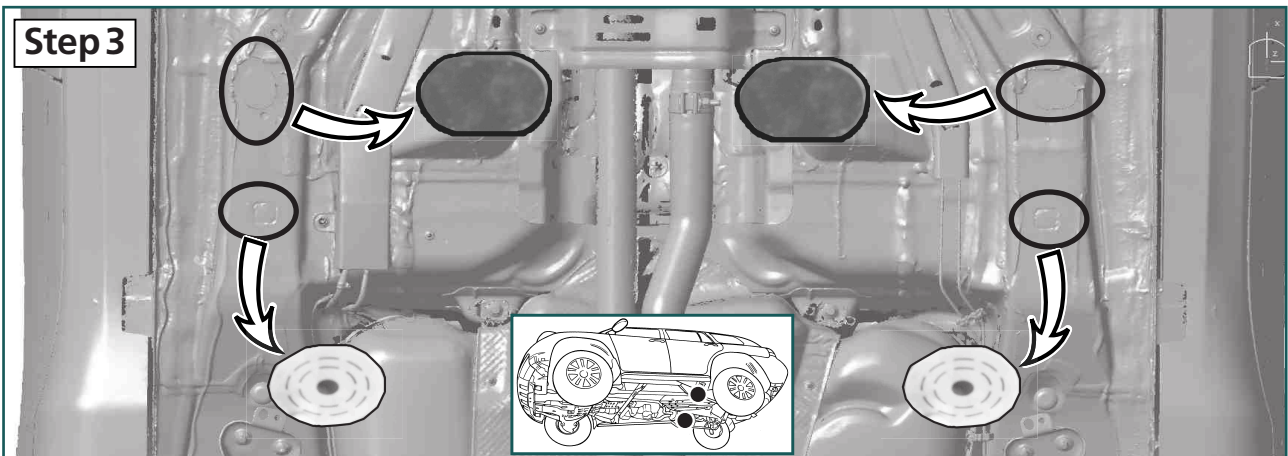
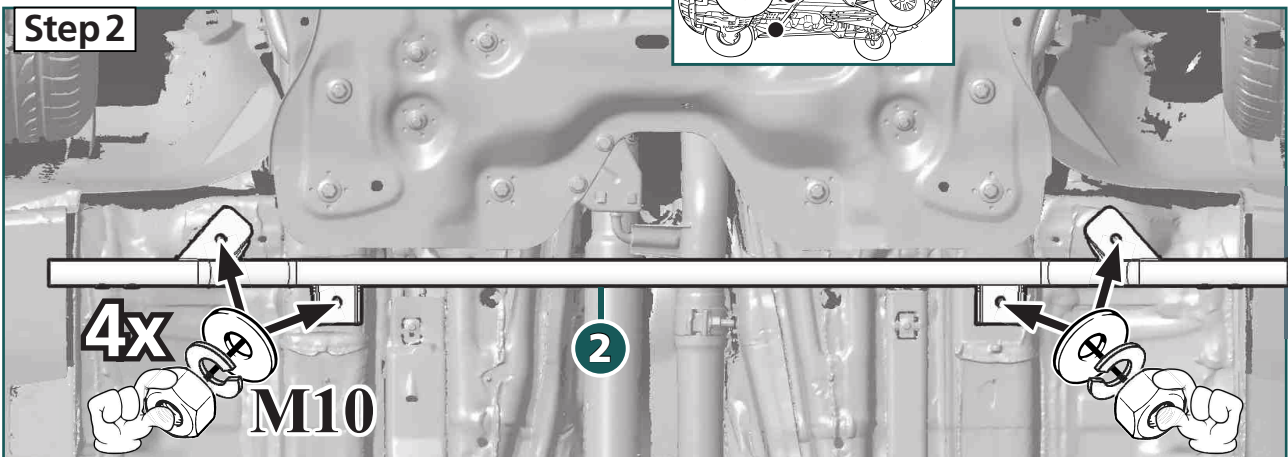
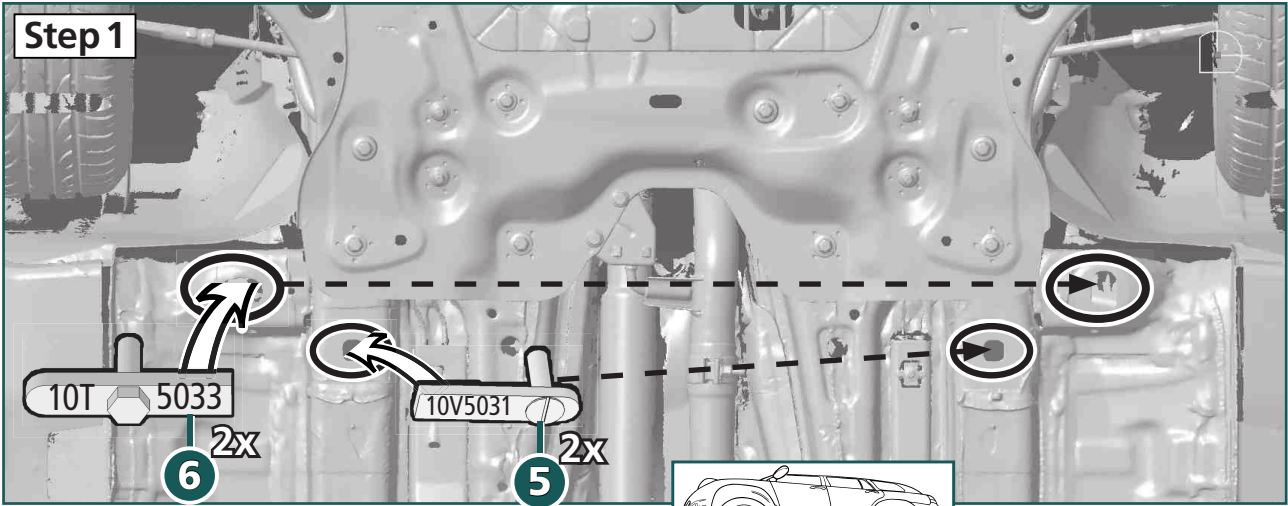
article no.:

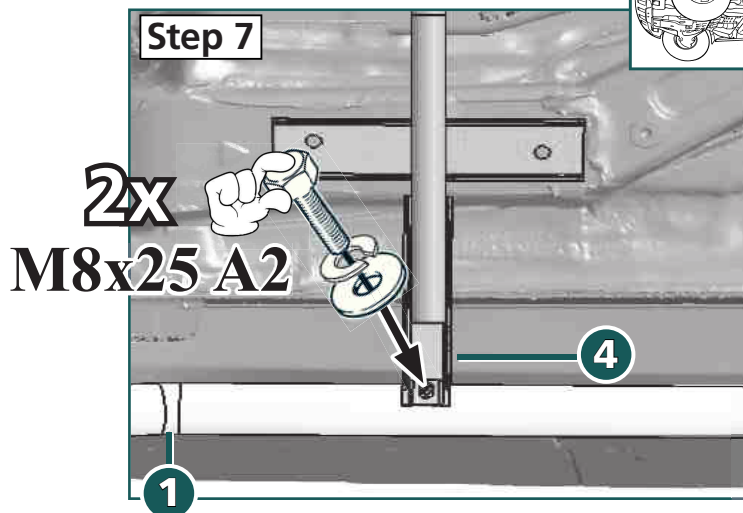
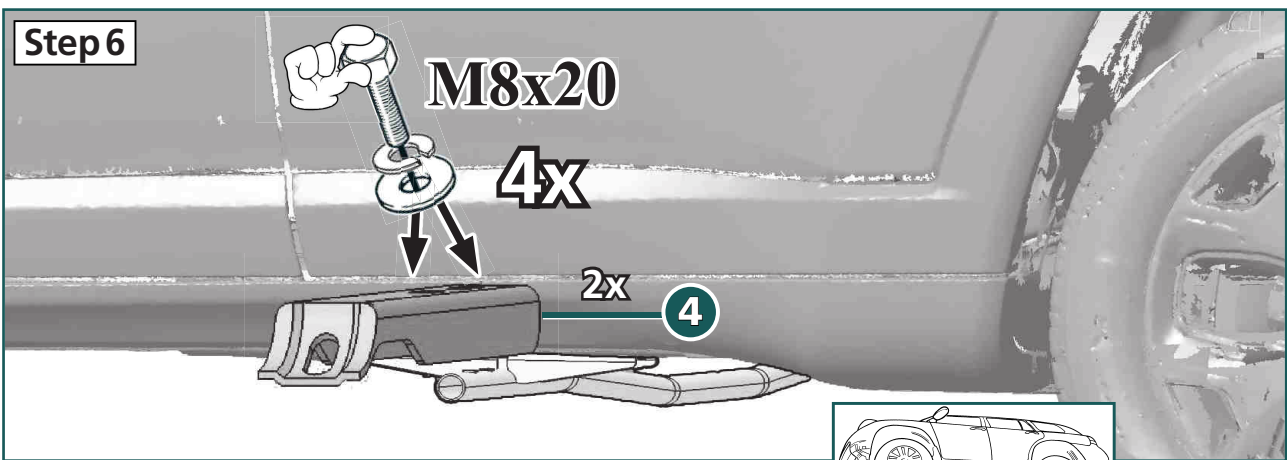
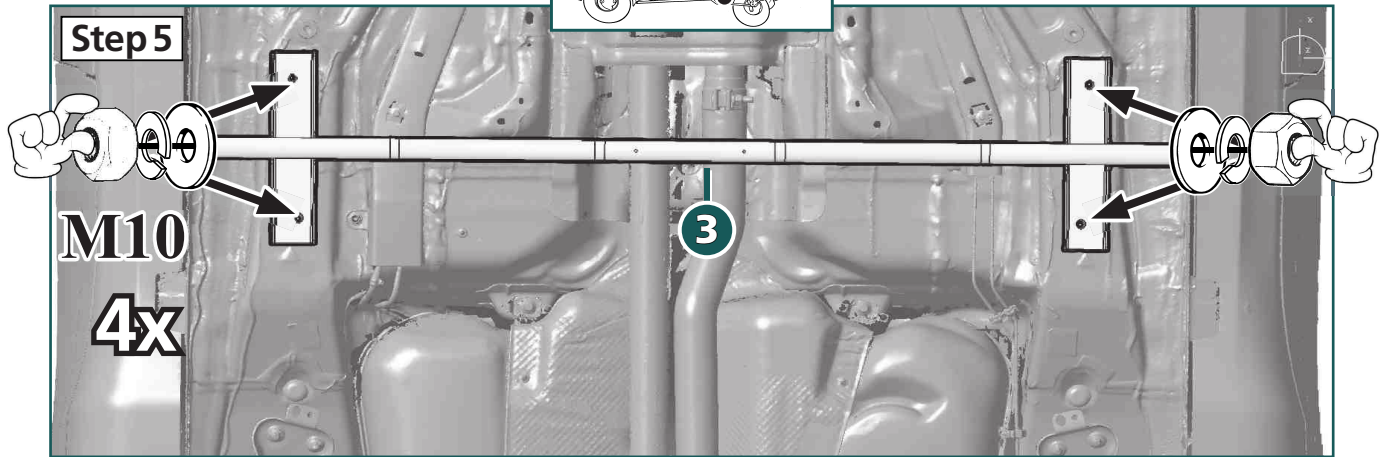
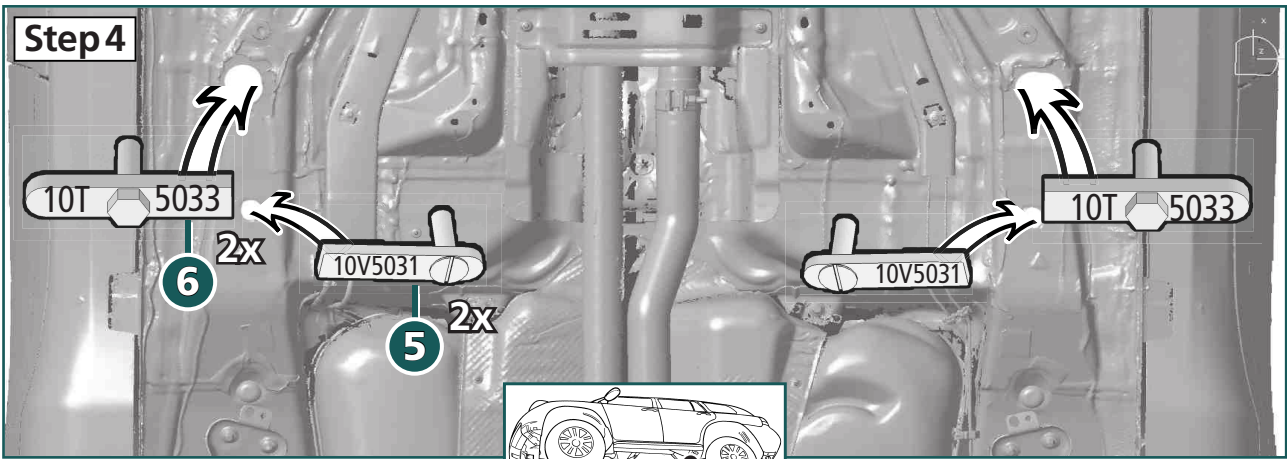
12T4150 (S) inox

12T5150 black steel

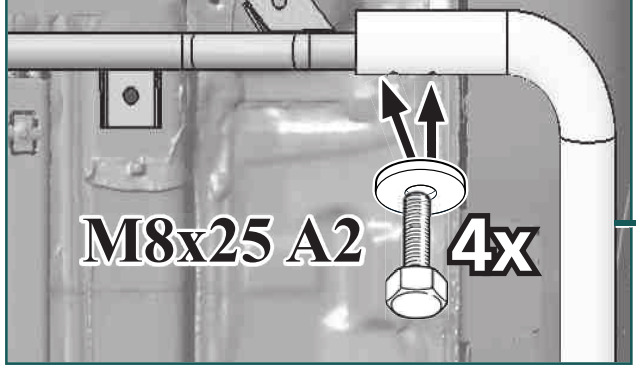
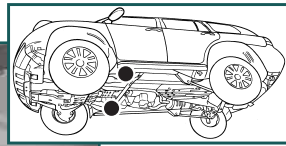
Revision 2: 23.04.2018







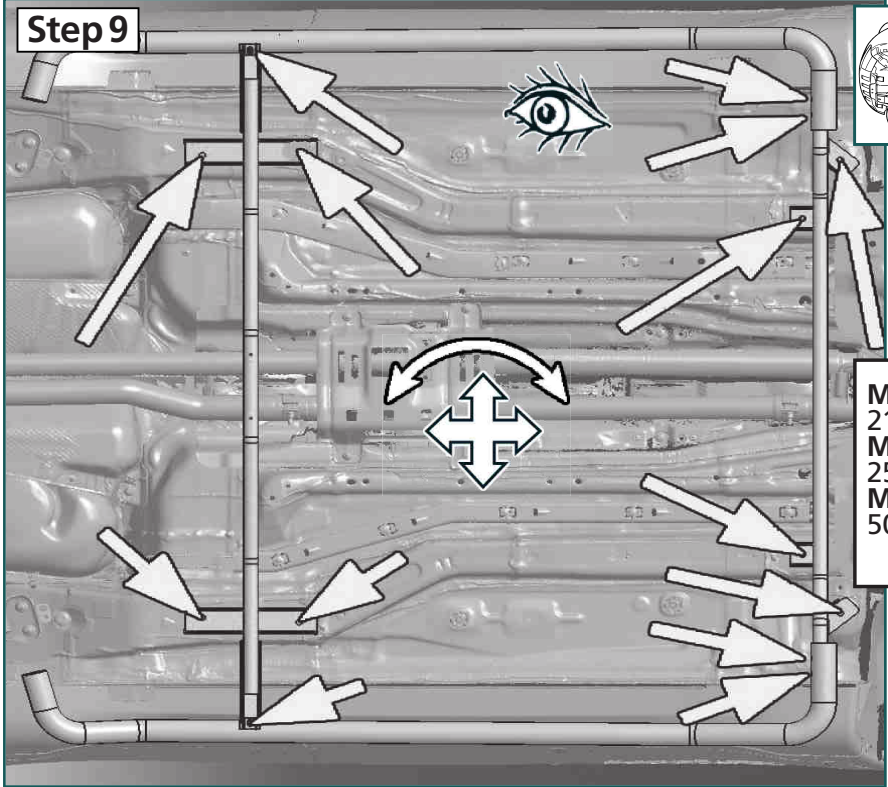
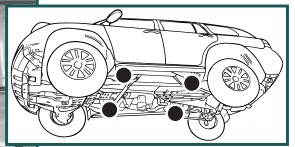
Step 8




M8x25 A2 4x

1

Step 9



**M8 (A2):**  
 21,4 Nm  
**M8:**  
 25 Nm  
**M10:**  
 50 Nm



Step 10

