

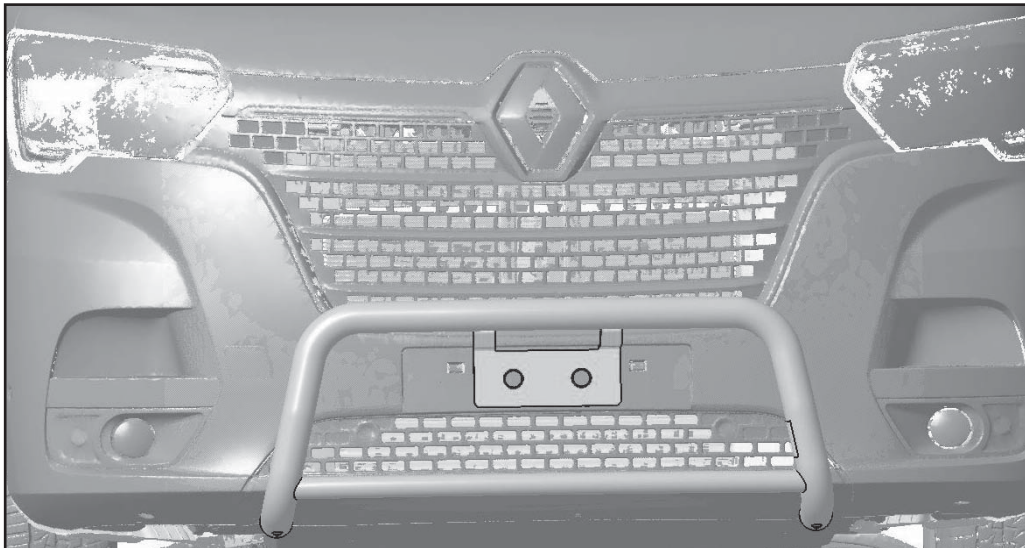
11X
4213N

Renault Master, Md. 2019

EU-pedestrian protection bar 60 mm with cross pipe 42 mm

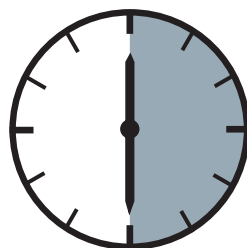
EU-Personenschutzbügel 60 mm mit integriertem Querrohr 42 mm

Protection avant, homologuée CEE, 60 mm, traverse 42 mm



ASSEMBLY INSTRUCTIONS

Montageanleitung • Instructions de montage
Instrucciones de montaje • Manual



30 Minuten

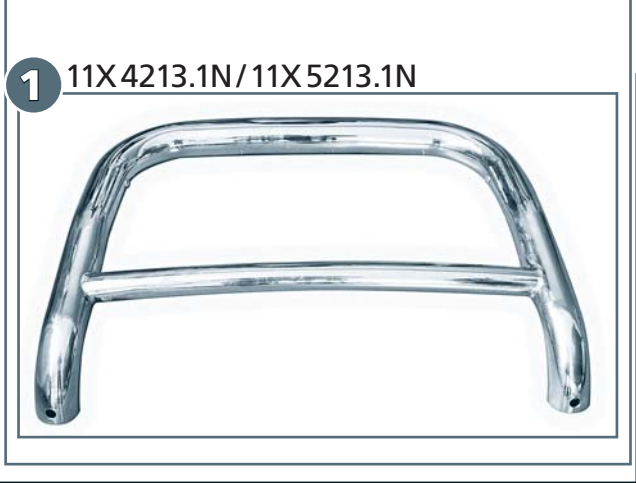
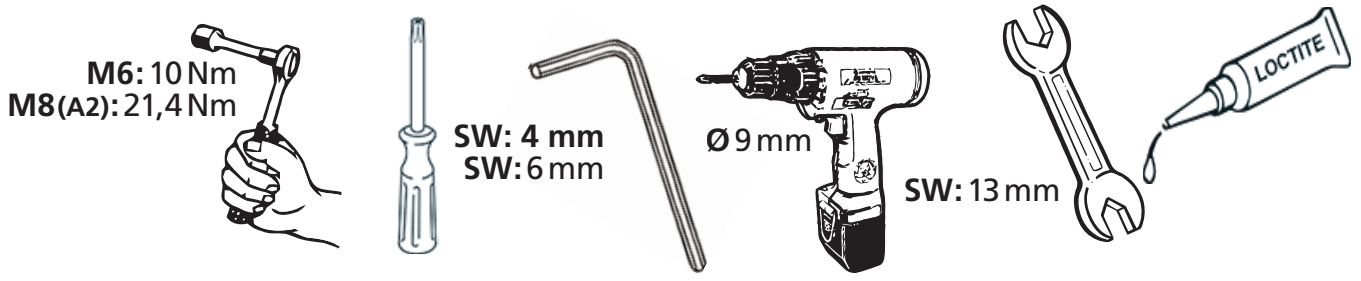
article no.:

11X4213N (S) inox

11X5213N black steel

Revision 3: 07.02.2020





mounting kit: 11X9213N

	M8x25; DIN 933 A2	2x
	M6x20; DIN 7991 Zn	2x
	M8x16; DIN 912 A2	2x
	ø 3,5x13 DIN 7981B A2	2x
	ø4,2; DIN 9021 A2	2x
	ø8,4; DIN 125 A2	2x
	SW13	2x

2 11X5035 1x

3 11X5042 R/11X5043L 2x

4 13B5047 2x

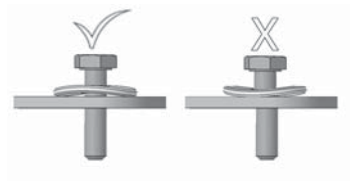
M6

5 11F8043 2x

6 005498 2x

Ø9 A2

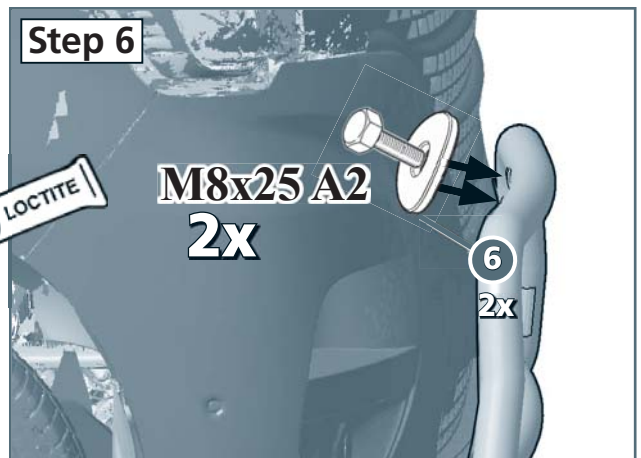
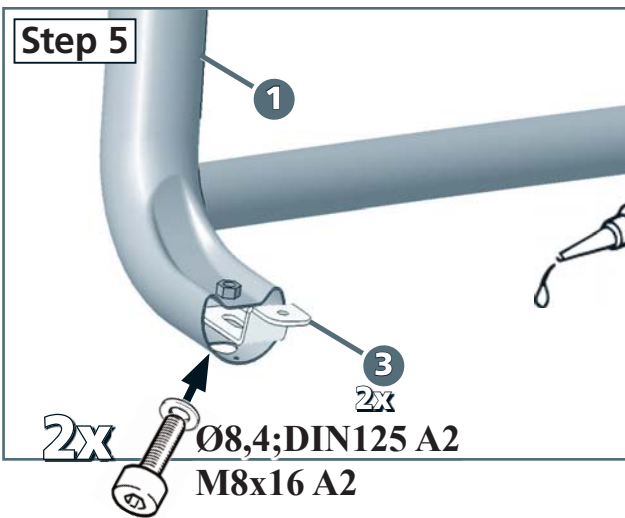
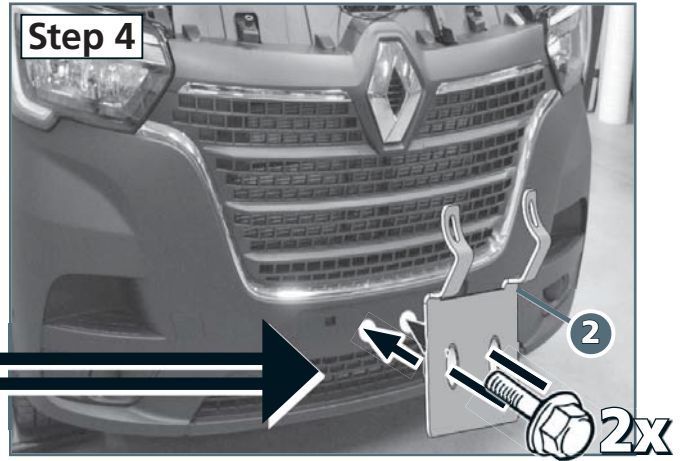
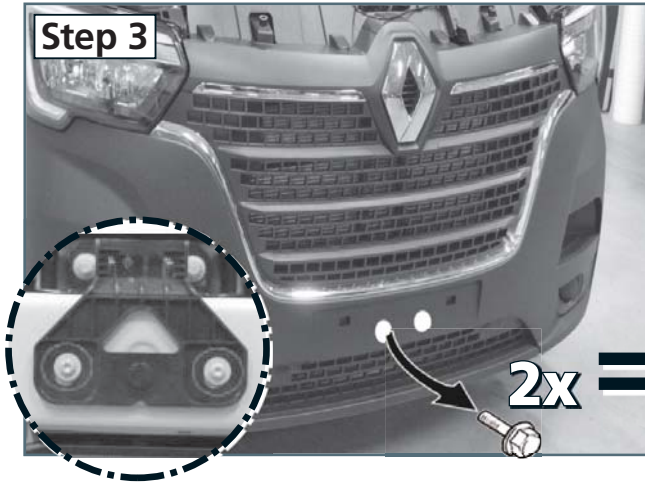
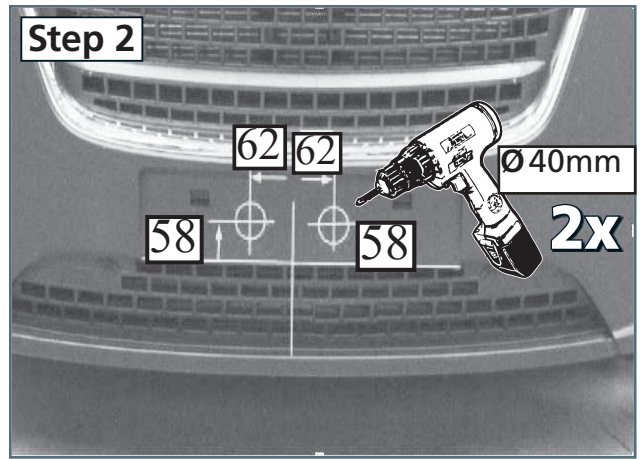
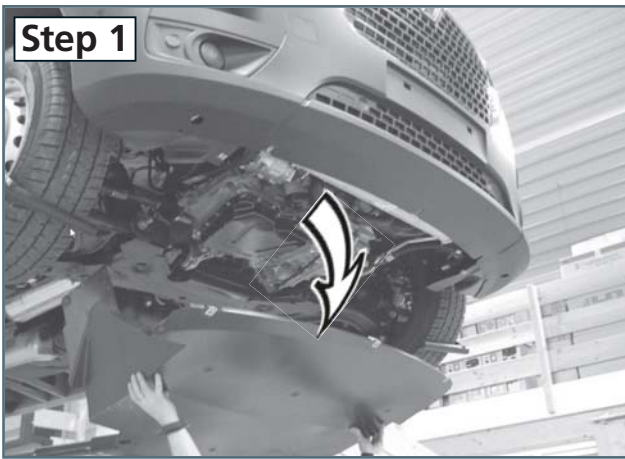
7 006009.1 4x



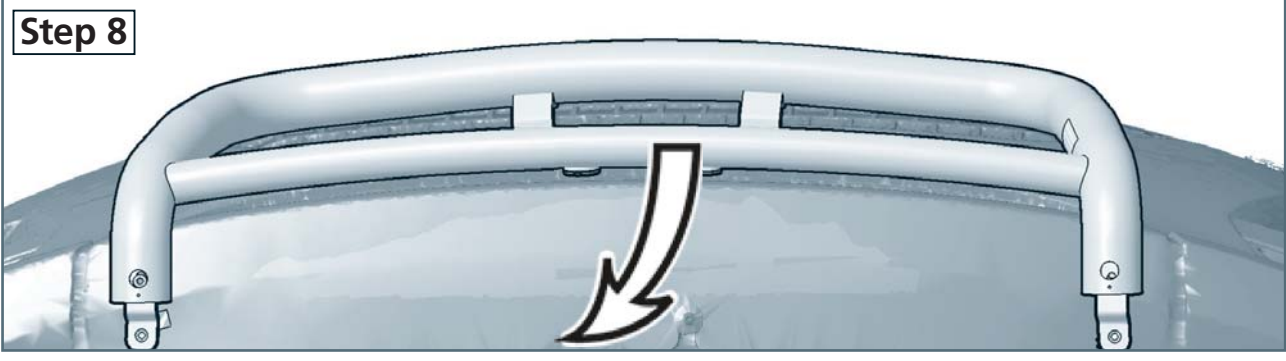
article no.:
11X4213N (S) inox
11X5213N black steel

Revision 3: 07.02.2020

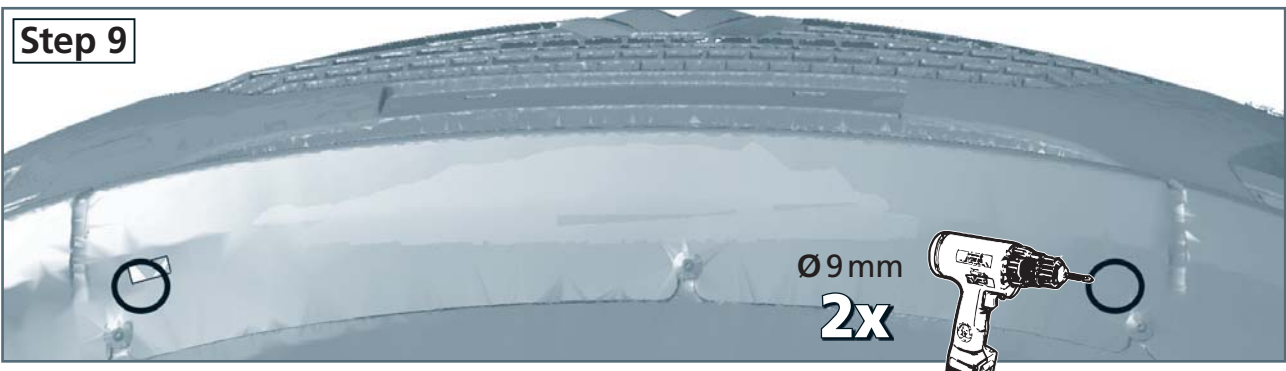




Step 8



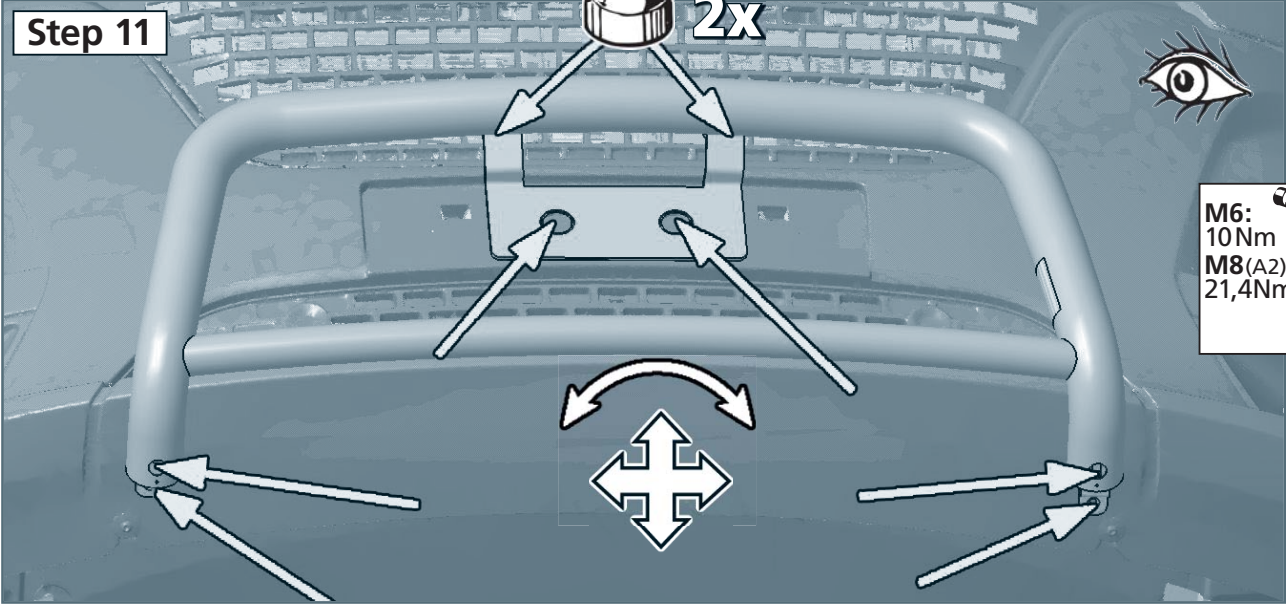
Step 9



Step 10



Step 11



M6: 10Nm
M8(A2): 21,4Nm

